



**STATE BANK OF PAKISTAN
SBP BANKING SERVICES CORPORATION (BANK)**

TENDER DOCUMENTS

VOLUME – III (B)

MISCELLANEOUS DETAILS

TECHNICAL BID

FOR

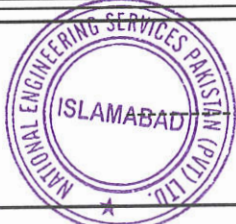
CONSTRUCTION OF SBP NEW OFFICE BUILDING

AT

D.I KHAN

ARCHITECTURAL DETAILS

S.NO	LOCATION/ROOM NAME	FLOOR							WALL				DADO/SKIRTING						CEILING								
		GRANITE TILES UPTO 4SFT	MARBLE TILES UPTO 4SFT	GRANOLITHIC	GRANITE STEPS (12" WIDE) CARPET TILES OVER TERRAZZO TILES	INSULATED TILES	HARDONATE OVER 3"THICK PCC FLOOR		WEATHER SHIELD PAINT	GRANITE TILES	MATT EMULSION PAINT	MATT ENAMEL PAINT	GRANITE UPTO 4' HIGH	PORCELAIN UPTO 7' HIGH	MATT ENAMEL UPTO 4' HIGH	GRANITE 4" HIGH	GRANOLITHIC 4" HIGH	MARBLE 4" HIGH					FALSE CEILING (MINERAL FIBRE)	8" WIDE ALUMINIUM STRIPS	GYPSUM BOARD	MATT EMULSION PAINT	
A.	BASEMENT																										
1	RAMP																										
2	PARKING																										
3	STAIR CASE																										
4	ALL STORES																										
5	AHU. ROOM																										
6	SINGLE LIFT- LOBBY																										
7	DOUBLE LIFT LOBBY & PASSAGE																										
8	OPEN TO SKY AREA																										
9	HVAC PLANT ROOM																										
10	CCTV/ SECURITY ROOM																										
11	IBSD CONTROL / BMS ROOM																										
12	UPS ROOM																										
B.	GROUND FLOOR																										
1	ENT. STEPSFOYER																										
2	FOYER																										
3	MAIN LOBBY																										
4	CORRIDOR																										
5	SITTING/WAITING																										
6	ATM																										



PROJECT STATE BANK OF PAKISTAN
NEW OFFICE BUILDING AT DERA ISMAIL KHAN

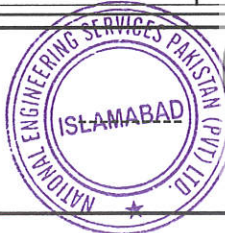
NATIONAL ENGINEERING SERVICES PAKISTAN (PVT.) LTD. ISLAMABAD

SCHEDULE OF FINISHES (BUILDING-1)

SCALE N.T.S. NO. 3780/322/BD/01J01 REV. 0
DATE MAY, 2021

ARCHITECTURAL DETAILS

S.NO	LOCATION/ROOM NAME	FLOOR								WALL				DADO/SKIRTING						CEILING					
		GRANITE TILES UPTO 4SFT	MARBLE TILES UPTO 4SFT	GRANOLITHIC	GRANITE STEPS (12" WIDE)	CARPET TILES OVER TERRAZZO TILES	INSULATED TILES	HARDONATE OVER 3" THICK PCC FLOOR	PORCELAIN UPTO 4SFT	WEATHER SHIELD PAINT	GRANITE TILES	MATT EMULSION PAINT	MATT ENAMEL PAINT	GRANITE UPTO 4' HIGH	PORCELAIN UPTO 7' HIGH	MATT ENAMEL UPTO 4' HIGH	GRANITE 4" HIGH	GRANOLITHIC 4" HIGH	MARBLE 4" HIGH	PORCELAIN 4" HIGH	FALSE CEILING (MINERAL FIBRE)	8" WIDE ALUMINIUM STRIPS	GYPSUM BOARD	MATT EMULSION PAINT	
B.	GROUND FLOOR																								
7	SECURITY OFFICER							○			○					○					○				
8	COUNTERS							○			○					○					○				
9	COINS SECTION							○			○					○					○				
10	FBR ROOM							○			○					○					○				
11	DAY VAULT							○			○					○					○				
12	BANK PAYMENT							○			○					○					○				
13	DAY'S RECEIPT							○			○					○					○				
14	OFFICE							○			○					○					○				
15	LIFT LOBBY	○								○												○			
16	STAIR				○						○		○										○		
17	TOILETS/ABLUTION							○			○		○									○			
18	ELECTRICAL/SERVER RM.							○			○					○					○				
C.	FIRST FLOOR																								
1	MAIN LOBBY	○									○	○										○			
2	CORRIDOR	○									○	○										○			
3	ASSISTANT CUBICALS							○			○								○		○				
4	MEETING ROOM							○			○								○		○				
5	ADMIN, OFFICE, IP SECURITY, IT OFFICE							○			○								○		○				
6	VISITING EXECUTIVE ROOM							○			○								○		○				



02

PROJECT STATE BANK OF PAKISTAN
NEW OFFICE BUILDING AT DERA ISMAIL KHAN




SCHEDULE OF FINISHES
(BUILDING-1)

NATIONAL ENGINEERING SERVICES PAKISTAN (PVT.) LTD. ISLAMABAD

SCALE N.T.S	NO. 3780/322/BD/01J02	REV. 0
DATE MAY, 2021		

ARCHITECTURAL DETAILS

S.NO	LOCATION/ROOM NAME	FLOOR							WALL				DADO/SKIRTING						CEILING					
		GRANITE TILES UPTO 4SFT	MARBLE TILES UPTO 4SFT	GRANOLITHIC	GRANITE STEPS (12" WIDE)	CARPET TILES OVER TERRAZZO TILES	INSULATED TILES	HARDONATE OVER 3" THICK PCC FLOOR	PORCELAIN UPTO 4SFT	WEATHER SHIELD PAINT	GRANITE TILES	MATT EMULSION PAINT	MATT ENAMEL PAINT	GRANITE UPTO 4' HIGH	PORCELAIN UPTO 7' HIGH	MATT ENAMEL UPTO 4' HIGH	GRANITE 4" HIGH	GRANOLITHIC 4" HIGH	MARBLE 4" HIGH	FALSE CEILING (MINERAL FIBRE)	8" WIDE ALUMINIUM STRIPS	GYPSUM BOARD	MATT EMULSION PAINT	
C.	FIRST FLOOR																							
7	UPS ROOM, RECORD ROOM							○			○								○					
8	PA & WAITING							○			○										○			
9	LIFT LOBBY	○									○		○								○			
10	STAIRS				○						○		○									○		
11	TOILETS/ABLUTION							○			○		○							○				
12	ELECTRICAL/SERVER RM.							○			○									○				
13	TERRACE							○									○							
D.	SECOND FLOOR																							
1	MAIN LOBBY	○								○												○		
2	CORRIDOR	○									○		○									○		
3	CAFETERIA							○			○		○									○		
4	KITCHEN							○			○		○							○				
5	SERVING AREA							○			○		○							○				
6	MACHINE ROOM				○						○											○		
7	PRAYER HALL					○							○									○		
8	LIFT LOBBY	○								○												○		
9	STAIRS				○						○		○									○		
10	TOILETS/ABLUTION							○			○		○							○				
11	ELECTRICAL/SERVER RM.		○								○									○				
12	TERRACE							○														○		

		PROJECT STATE BANK OF PAKISTAN NEW OFFICE BUILDING AT DERA ISMAIL KHAN  NATIONAL ENGINEERING SERVICES PAKISTAN (PVT.) LTD. ISLAMABAD	SCHEDULE OF FINISHES (BUILDING-1)	
			SCALE N.T.S.	NO. 3780/322/BD/01J03

ARCHITECTURAL DETAILS

S.NO	LOCATION/ROOM NAME	FLOOR								WALL				DADO/SKIRTING						CEILING					
		GRANITE TILES UPTO 4SFT	MARBLE TILES UPTO 4SFT	GRANOLITHIC	GRANITE STEPS (12" WIDE)	CARPET TILES OVER TERRAZZO TILES	INSULATED TILES	HARDONATE OVER PCC FLOOR	PCC FLOOR	WEATHER SHIELD PAINT	GRANITE TILES	MATT EMULSION PAINT	MATT ENAMEL PAINT	GRANITE UPTO 4' HIGH	PORCELAIN UPTO 7' HIGH	MATT ENAMEL UPTO 4' HIGH	GRANITE 4" HIGH	GRANOLITHIC 4" HIGH	MARBLE 4" HIGH	FALSE CEILING (MINERAL FIBRE)	8" WIDE ALUMINIUM STRIPS	GYPNUM BOARD	MATT EMULSION PAINT		
E.	ROOF																								
1	MUMTY		○								○												○		
2	STAIRS				○						○												○		
3	MACHINE ROOM			○							○												○		
4	AHU. ROOM			○							○												○		
5	MECHANICAL STORE			○							○												○		
6	ROOF						○			○													○		
7	WATCH TOWER							○		○													○		



PROJECT
STATE BANK OF PAKISTAN
 NEW OFFICE BUILDING AT DERA ISMAIL KHAN

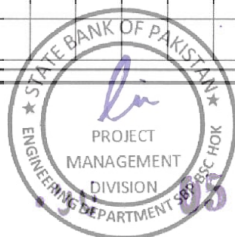
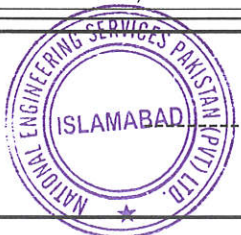
NATIONAL ENGINEERING SERVICES PAKISTAN (PVT.) LTD. ISLAMABAD

SCHEDULE OF FINISHES
(BUILDING-1)

SCALE N.T.S	NO. 3780/322/BD/01J04	REV. 0
DATE MAY, 2021		

ARCHITECTURAL DETAILS

S.NO	LOCATION/ROOM NAME	FLOOR								WALL					DADO/SKIRTING						CEILING					
		GRANITE TILES UPTO 4SFT	MARBLE TILES UPTO 4SFT	GRANOLITHIC	MARBLE STEPS (12" WIDE)	CARPET TILES OVER TERRAZZO TILES	INSULATED TILES	GRANITE STEPS	PORCELAIN TILES 4SFT	WEATHER SHIELD PAINT	TEXTURE COATING	GRANITE TILES	MATT EMULSION PAINT	MATT ENAMEL PAINT	GRANITE UPTO 4' HIGH	PORCELAIN UPTO 7' HIGH	MATT ENAMEL UPTO 4' HIGH	GRANITE 4" HIGH	GRANOLITHIC 4" HIGH	MARBLE 4" HIGH	PORCELAIN 4" HIGH	FALSE CEILING (MINERAL FIBRE)	8" WIDE ALUMINIUM STRIPS	GYP SUM BOARD	MATT EMULSION PAINT	
A.	BASEMENT																									
1	LIFT LOBBY			○							○													○		
2	MAIN VAULT AREA			○								○								○				○		
3	SECURITY GUARDS ROOM		○									○								○				○		
4	STAIR CASE				○							○			○									○		
5	SEATING SPACE FOR OFFICERS		○									○								○				○		
6	TRANSIT VAULT			○								○								○				○		
7	PASSAGE			○								○								○				○		
9	TOILETS											○		○										○		
B.	GROUND FLOOR																									
1	ENTRANCE STEPS							○						○											○	
2	FOYER	○										○		○										○		
3	LADIES COMMON ROOM										○									○			○			
4	DAY CARE										○									○			○			
5	RECORD ROOM		○									○							○				○			
6	GYM										○									○			○			
7	PHARMACY										○			○						○			○			
8	MALE DOCTOR/FEMALE DOCTOR										○									○			○			
9	EMERGENCY PROCEDURE/BOX										○			○						○			○			



PROJECT

STATE BANK OF PAKISTAN
NEW OFFICE BUILDING AT DERA ISMAIL KHAN

SCHEDULE OF FINISHES
(BUILDING-2)



**NATIONAL ENGINEERING SERVICES
PAKISTAN (PVT.) LTD. ISLAMABAD**

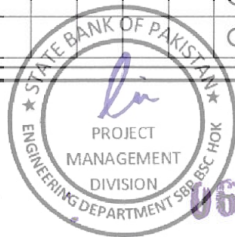
SCALE N.T.S
DATE MAY, 2021

NO. 3780/322/BD/01J05

REV. 0

ARCHITECTURAL DETAILS

S.NO	LOCATION/ROOM NAME	FLOOR							WALL					DADO/SKIRTING						CEILING					
		GRANITE TILES UPTO 4SFT	MARBLE TILES UPTO 4SFT	GRANOLITHIC	MARBLE STEPS (12" WIDE)	CARPET TILES OVER TERRAZZO TILES	INSULATED TILES	GRANITE STEPS	PORCELAIN TILES 4SFT	WEATHER SHIELD PAINT	TEXTURE COATING	GRANITE TILES	MATT EMULSION PAINT	MATT ENAMEL PAINT	GRANITE UPTO 4' HIGH	PORCELAIN UPTO 7' HIGH	MATT ENAMEL UPTO 4' HIGH	GRANITE 4" HIGH	GRANOLITHIC 4" HIGH	MARBLE 4" HIGH	PORCELAIN 4" HIGH	FALSE CEILING (MINERAL FIBRE)	8" WIDE ALUMINIUM STRIPS	GYPNUM BOARD	MATT EMULSION PAINT
B.	GROUND FLOOR																								
10	RECEPTION & WAITING		○									○										○			
11	POLICE GUARD ROOM		○									○										○			
12	SECURITY EQUIPMENT		○									○										○			
13	GUARD DRESSING		○									○										○			
14	SPACE FOR EMPTY BOXES			○								○												○	
15	PARKING SHED+LIFT LOBBY			○																				○	
16	CORRIDOR		○																					○	
17	KITCHEN+DAY CARE							○				○		○									○		
18	STAIR				○																			○	
19	RAMP (IN PARKING SHED)			○																				○	
20	TOILETS/ABLUTION							○				○		○									○		
21	ELECTRIC							○														○			
22	SHOWER/ CHANGING IN GYM							○				○		○									○		
C.	ROOF																								
1	MUMTY		○								○													○	
2	STAIRS				○						○													○	
3	MACHINE ROOM			○							○													○	
4	AHU. ROOM			○																				○	
5	ROOF							○																○	
6	WATCH TOWER							○																○	



PROJECT

STATE BANK OF PAKISTAN
NEW OFFICE BUILDING AT DERA ISMAIL KHAN

SCHEDULE OF FINISHES
(BUILDING-2)



**NATIONAL ENGINEERING SERVICES
PAKISTAN (PVT.) LTD. ISLAMABAD**

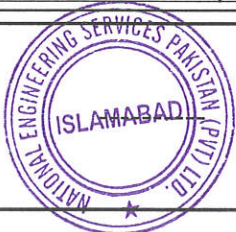
SCALE
N.T.S
DATE
MAY, 2021

NO.
3780/322/BD/01J06

REV.
0

ARCHITECTURAL DETAILS

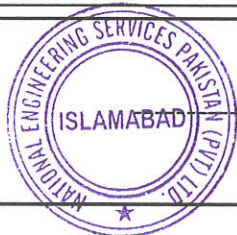
S.NO	LOCATION/ROOM NAME	FLOOR								WALL				DADO/SKIRTING						SKIRTING						CEILING					
		GRANITE TILES UPTO 4SFT	PORCELAIN TILES UPTO 4SFT	MARBLE TILES UPTO 4SFT	GRANOLITHIC	MARBLE STEPS (12" WIDE)	EPOXY COAT OVER PCC & HARDONATE	CARPET TILES OVER TERRAZZO TILES	INSULATED TILES	WEATHER SHIELD PAINT	GRANITE TILES	MATT EMULSION PAINT	MATT ENAMEL PAINT	GRANITE UPTO 4' HIGH	PORCELAIN UPTO 7' HIGH	MATT ENAMEL UPTO 4' HIGH	GRANITE 4" HIGH	GRANOLITHIC 4" HIGH	MARBLE 4" HIGH									FALSE CEILING (MINERAL FIBRE)	8" WIDE ALUMINIUM STRIPS	GYPNUM BOARD	MATT EMULSION PAINT
A.	BAEMENT																														
1	HALL			○							○																				○
2	STORE			○							○																				○
				○							○																				○
B.	GROUND FLOOR																														
1	ENT. STEPS/FOYER					○					○																				○
2	LOBBY			○							○																				○
3	SUB STATION					○					○																				○
4	DUTY ROOM					○					○																				○
5	STRONG ROOM					○					○																				○
6	TOILET		○									○		○																	○
7	STAIRS					○					○																				○
C.	ROOF																														
1	LOBBY			○							○																				○
2	ROOF																														



PROJECT STATE BANK OF PAKISTAN NEW OFFICE BUILDING AT DERA ISMAIL KHAN		SCHEDULE OF FINISHES (BUILDING-4)	
NATIONAL ENGINEERING SERVICES PAKISTAN (PVT.) LTD. ISLAMABAD		SCALE N.T.S. DATE MAY, 2021	NO. 3780/322/BD/01J08
			REV. 0

ARCHITECTURAL DETAILS

S.NO	LOCATION/ROOM NAME	FLOOR								WALL				DADO/SKIRTING				SKIRTING				CEILING							
		GRANITE TILES UPTO 2 SFT	MARBLE TILES UPTO 2 SFT	MARBLE STEPS (12" WIDE)	GRANITE STEPS (12" WIDE)	CARPET TILES OVER TERRAZZO TILES	INSULATED TILES	PORCELAIN 2 SFT		WEATHER SHIELD PAINT	GRANITE TILES	MATT EMULSION PAINT	MATT ENAMEL PAINT	GRANITE UPTO 4' HIGH	PORCELAIN UPTO 7' HIGH	MATT ENAMEL UPTO 4' HIGH	GRANITE 4" HIGH	MARBLE 4" HIGH					FALSE CEILING (MINERAL FIBRE)	8" WIDE ALUMINIUM STRIPS	GYPSUM BOARD	MATT EMULSION PAINT			
A.	GROUND FLOOR																												
1	ENTRANCE STEPS/FOYER	<input type="radio"/>			<input type="radio"/>				<input type="radio"/>							<input type="radio"/>										<input type="radio"/>			
2	LOBBY	<input type="radio"/>								<input type="radio"/>						<input type="radio"/>										<input type="radio"/>			
3	LIVING/DINING		<input type="radio"/>							<input type="radio"/>							<input type="radio"/>								<input type="radio"/>				
4	DRAWING ROOM		<input type="radio"/>							<input type="radio"/>							<input type="radio"/>								<input type="radio"/>				
5	BED ROOM		<input type="radio"/>							<input type="radio"/>							<input type="radio"/>								<input type="radio"/>				
6	KITCHEN							<input type="radio"/>			<input type="radio"/>		<input type="radio"/>										<input type="radio"/>			<input type="radio"/>			
7	STORE		<input type="radio"/>							<input type="radio"/>							<input type="radio"/>								<input type="radio"/>				
8	VERANDAH		<input type="radio"/>					<input type="radio"/>									<input type="radio"/>								<input type="radio"/>				
9	DRESSING ROOM		<input type="radio"/>							<input type="radio"/>							<input type="radio"/>								<input type="radio"/>				
10	BATH ROOM						<input type="radio"/>				<input type="radio"/>		<input type="radio"/>										<input type="radio"/>			<input type="radio"/>			
11	PASSAGE		<input type="radio"/>							<input type="radio"/>							<input type="radio"/>								<input type="radio"/>				
12	TERRACE		<input type="radio"/>					<input type="radio"/>									<input type="radio"/>								<input type="radio"/>				
13	STAIR CASE			<input type="radio"/>						<input type="radio"/>							<input type="radio"/>								<input type="radio"/>				



PROJECT
STATE BANK OF PAKISTAN
NEW OFFICE BUILDING AT DERA ISMAIL KHAN

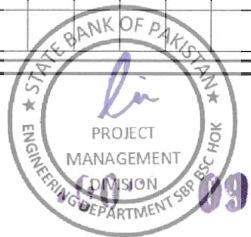
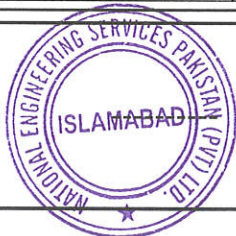
NATIONAL ENGINEERING SERVICES PAKISTAN (PVT.) LTD. ISLAMABAD

SCHEDULE OF FINISHES (BUILDING-5)

SCALE N.T.S	NO. 3780/322/BD/01J10	REV. 0
DATE MAY, 2021		

ARCHITECTURAL DETAILS

S.NO	LOCATION/ROOM NAME	FLOOR							WALL				DADO/SKIRTING						CEILING			
		GRANITE TILES UPTO 4 SFT	MARBLE TILES UPTO 2 SFT	MARBLE STEPS (12" WIDE)	GRANITE STEPS (12" WIDE)	CARPET TILES OVER TERRAZZO TILES	INSULATED TILES	PORCELAIN 2 SFT	WEATHER SHIELD PAINT	GRANITE TILES	MATT EMULSION PAINT	MATT ENAMEL PAINT	GRANITE UPTO 4' HIGH	PORCELAIN UPTO 7' HIGH	MATT ENAMEL UPTO 4' HIGH	GRANITE 4" HIGH	MARBLE 4" HIGH	FALSE CEILING (MINERAL FIBRE)	8" WIDE ALUMINIUM STRIPS	GYPSUM BOARD	MATT EMULSION PAINT	
B.	FIRST FLOOR																					
1	LOBBY	○								○					○						○	
2	SITTING ROOM/SITTING/DINING AREA		○							○						○			○			
3	BED ROOM		○							○						○			○			
4	BATH ROOM						○				○	○						○				
5	TERRACE		○					○								○				○		
6	VERANDAH		○					○								○				○		
7	KITCHEN						○			○		○						○			○	
8	CORRIDOR		○							○										○		
C.	ROOF																					
1	MUMTY			○						○						○					○	
2	ROOF					○			○							○						



PROJECT

STATE BANK OF PAKISTAN
NEW OFFICE BUILDING AT DERA ISMAIL KHAN

SCHEDULE OF FINISHES
(BUILDING-5)

**NATIONAL ENGINEERING SERVICES
PAKISTAN (PVT.) LTD. ISLAMABAD**

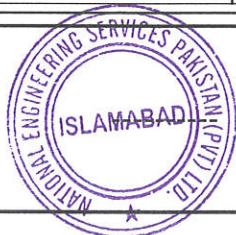
SCALE
N.T.S.
DATE
MAY, 2021

NO.
3780/322/BD/01J11

REV.
0

ARCHITECTURAL DETAILS

S.NO	LOCATION/ROOM NAME	FLOOR							WALL				DADO/SKIRTING						CEILING					
		GRANITE TILES UPTO 4SFT	MARBLE TILES UPTO 4SFT	TERRAZZO TILES UPTO 2SFT	MARBLE STEPS (12" WIDE)	CARPET TILES OVER TERRAZZO TILES	TUFF PAVER		WEATHER SHIELD PAINT	GRANITE TILES	PLASTIC EMULSION PAINT	MATT ENAMEL PAINT	GRANITE UPTO 4' HIGH	PORCELAIN UPTO 7' HIGH	MATT ENAMEL UPTO 4' HIGH	GRANITE 4" HIGH	MARBLE 4" HIGH			FALSE CEILING (MINERAL FIBRE)	8" WIDE ALUMINIUM STRIPS	GYPSUM BOARD	PLASTIC EMULSION PAINT	MATT ENAMEL PAINT
BUILDING-6 & 3																								
A.	BASEMENT/GROUND FLOOR PLAN																							
1	SCANNING ROOM	○								○					○							○		
2	WAITING	○								○					○							○		
3	CORRIDOR	○								○					○							○		
4	PODIUM/STAIRS		○													○								
5	DRIVE WAY						○																	
6	TOILET	○									○		○									○		
6	PUMP ROOM			○						○					○								○	
BUILDING-3																								
A.	GROUND FLOOR PLAN																							
1	GUARD ROOM		○							○					○							○		
2	METERING ROOM		○							○					○							○		



PROJECT

STATE BANK OF PAKISTAN
NEW OFFICE BUILDING AT DERA ISMAIL KHAN

SCHEDULE OF FINISHES
(BUILDING- 6 & 3)

**NATIONAL ENGINEERING SERVICES
PAKISTAN (PVT.) LTD. ISLAMABAD**

SCALE N.T.S
DATE MAY, 2021

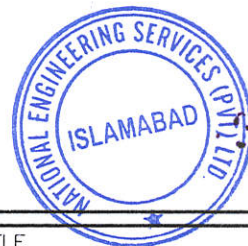
NO. 3780/322/BD/01J13

REV. 0

ARCHITECTURAL DETAILS

ABBREVIATIONS

AD	ALUMINIUM DOOR	LP	LACQUER POLISH (SLIDING BOLT)
AL	ALUMINIUM	LD	L DROP (SLIDING BOLT)
ANO	ANODIZED	LW	LASANI WOOD
CG	CLEAR GLASS 5mm THICK	MDF	MEDIUM DENSITY FIBER BOARD
CP	COMMERCIAL PLY (DEODAR)	MS	MILD STEEL
D	DOOR	O	OPENABLE
DH	DOOR HANDLE	P	PAINT
DL	DOUBLE LEAF	PC	POWDER COATED
DS	DOUBLE SWING	PD	PANELED DOOR
DW	DEODAR WOOD	PW	PARTAL WOOD
EL	STRUCTURAL LEVEL	RS	ROOLUP SHUTTER
EQ	EQUAL	S	SLIDING
F	FIXED GLASS	SBS	STEEL BOX SECTION
FD	FLUSH DOOR	SD	STEEL DOOR
FFL	FINISHED FLOOR LEVEL	SDL	STEEL DOOR LOUVERED
FG	FROSTED GLASS	SL	SINGLE LEAF
FL	FAN LIGHT	SS	STAINLESS STEEL
FO	FOLDING DOOR	TH	TOP HUNG
FP	FLY PROOFING	TG	TINTED GLASS
FV	FORMICA VENEERED	TS	TWO SHUTTERS (ONE PANELED & ONE FLY PROOF)
GI	GALVANIZED IRON SHEET-	V	VENTILATOR
GL	GLASS	VG	VIEWING GLASS
GW	GLASS WINDOW	W	WINDOW
SW	SPIDERWEB		
RG	REFLECTIVE GLASS		
RD	REVOLVING DOOR		



00 11

PROJECT STATE BANK OF PAKISTAN NEW OFFICE BUILDING AT DERA ISMAIL KHAN PROJECT MANAGEMENT DESIGN DEPARTMENT NATIONAL ENGINEERING SERVICES PAKISTAN (PVT.) LTD. ISLAMABAD	TITLE ABBREVIATIONS SCALE N.T.S DATE MAY, 2021 NO. 3780/322/BD/01J14 REV. 0
---	--

ARCHITECTURAL DETAILS

HARDWARE

- F1 1/8" x 1 1/2" x 10" CRANK SHAPED HOLD FAST
- H1 BRASS HINGE 5" LONG WITH STEEL BEARING
- H2 STEEL HINGE 6" LONG (HEAVY DUTY) WITH STEEL BEARING
- H3 FLOOR MOUNTED DOOR CLOSER(CONCEALED TYPE)
- H4 STRIP HINGE
- TB 6" LONG BRASS TOWER BOLT HEAVY DUTY
- KP 6" x WIDTH OF DOOR SHUTTER KICK PLATE BOTH SIDES(BRUSHED STAINLESS STEEL)
- PP 4"x 8" PUSH PLATE BRUSHED STAINLESS STEEL.
- PB PUSH BAR 6" HIGH WIDTH OF SHUTTER
- L1 HEAVY DUTY CYLINDRICAL LOCK SETS,WITH HANDLES KEY OPENABLE OPERATION OUTSIDE (IMPORTED OF EUROPEAN ORIGIN)
- L2 HEAVY DUTY CYLINDRICAL LOCK SETS,WITH HANDLES KEY OPENABLE OPERATION OUTSIDE WITH PUSH BUTTON LOCKING ARRANGEMENT INSIDE (IMPORTED OF EUROPEAN ORIGIN)
- L3 HEAVY DUTY CYLINDRICAL LOCK SETS,WITH HANDLES KEY OPENABLE OPERATION OUTSIDE/INSIDE (IMPORTED OF EUROPEAN ORIGIN)
- L4 DOOR LATCH FOR TOILET DOORS
- L5 SLIDING BOLT
- DC HYDRAULIC DOOR CLOSER
- DH DOOR HANDLE

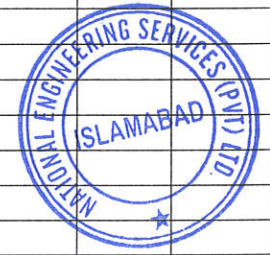
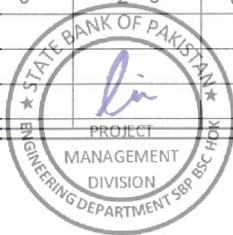
30: 12



PROJECT STATE BANK OF PAKISTAN NEW OFFICE BUILDING AT DERA ISMAIL KHAN	TITLE HARDWARE		
NATIONAL ENGINEERING SERVICES PAKISTAN (PVT.) LTD. ISLAMABAD	SCALE N.T.S	NO. 3780/322/BD/01J15	REV. 0
DATE MAY, 2021			

ARCHITECTURAL DETAILS

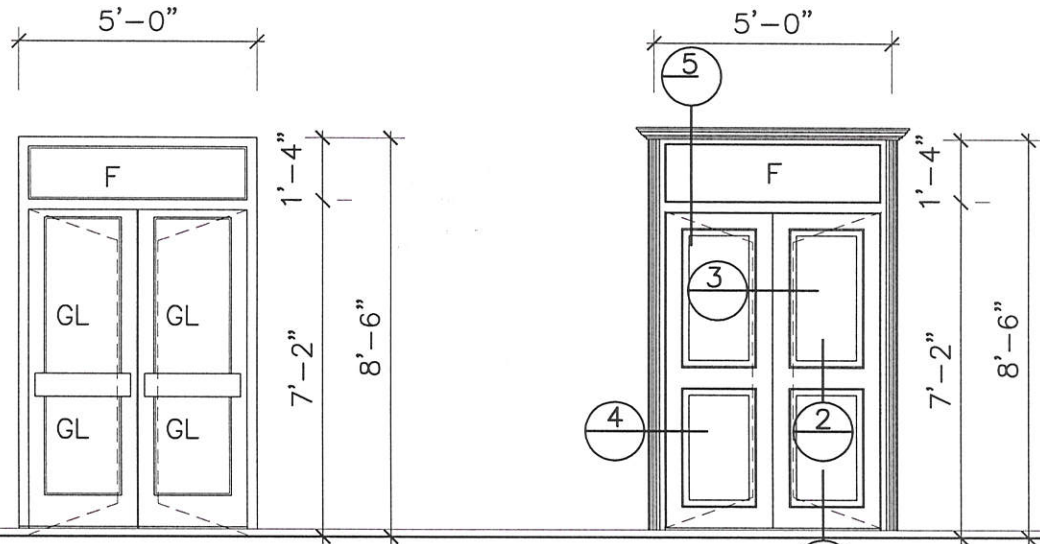
TYPE	DESCRIPTION	MASONRY OPENING		MATERIAL		FINISHES		H A R D W A R E								
		WIDTH	HEIGHT	FRAME	SHUTTER	FRAME	SHUTTER	HOLD FAST	HINGES	LOCKS	TOWER BOLTS	PUSH PLATE	KICK PLATE	DOOR CLOSER	DOOR HANDLE	L DROP
DW1	AL-DL-O/F	12'-7½"	20'-9"	AL	AL-TG	PC	PC-TG									
D1	AL-DL-FL	5'-0"	8'-6"	AL	AL-TG	LP	LP	F1	H1	L3	TB	-	-	DC	DH	
D1a	PD-DL-VG-FL	5'-0"	8'-6"	DW	DW	LP	LP									
D2	PD-SL-FL	3'-6"	8'-6"	DW	DW	LP	LP	F1	H1	L2	TB	-	-	DC	DH	
D3	AL-SL-FL	3'-0"	8'-6"	AL	AL-GL	PC	PC-CG									
D3a	FD-SL-FL	3'-0"	8'-6"	DW	PW-CP	LP	LP	F1	H1	L2	TB	-	-	DC	DH	
D4	uPVC-SL	2'-3"	7'-2"	uPVC	uPVC	ORIGINAL FINISH	ORIGINAL FINISH									
D4a	uPVC-SL	3'-6"	7'-2"	uPVC	uPVC	ORIGINAL FINISH	ORIGINAL FINISH									
SD1	SD-DL	6'-0"	8'-6"	SBS	MS	P	P	F1	H1	L2	-	PP	KP	-	-	
SD2	SD-SL	3'-6"	8'-6"	SBS	MS	P	P	F1	H1	L2	-	PP	KP	-	-	
SD3	SD-SL	3'-0"	8'-6"	SBS	MS	P	P	F1	H1	L2	-	PP	KP	-	-	
SD4	SD-DL	5'-0"	8'-6"	SBS	MS	P	P	F1	H1	L2	-	PP	KP	-	-	
LVD	LOCAL VAULT DOOR	4'-0"	7'-2"													
W1	uPVC-O-GRILL	4'-6"	5'-6"	uPVC	uPVC-GL	ORIGINAL FINISH	DG-CG									
W2	uPVC-O-GRILL	4'-0"	5'-6"	uPVC	uPVC-GL	ORIGINAL FINISH	DG-CG									
W2a	uPVC-O-GRILL	4'-0"	5'-6"	uPVC	uPVC-GL	ORIGINAL FINISH	DG-CG									
W3	uPVC-O-GRILL	2'-6"	5'-0"	uPVC	uPVC-GL	ORIGINAL FINISH	DG-CG									
V1	uPVC-O-GRILL	1'-6"	1'-6"	uPVC	uPVC-GL	ORIGINAL FINISH	DG-CG									
V2	uPVC-O-GRILL	8'-0"	2'-6"	uPVC	uPVC-GL	ORIGINAL FINISH	DG-CG									



13

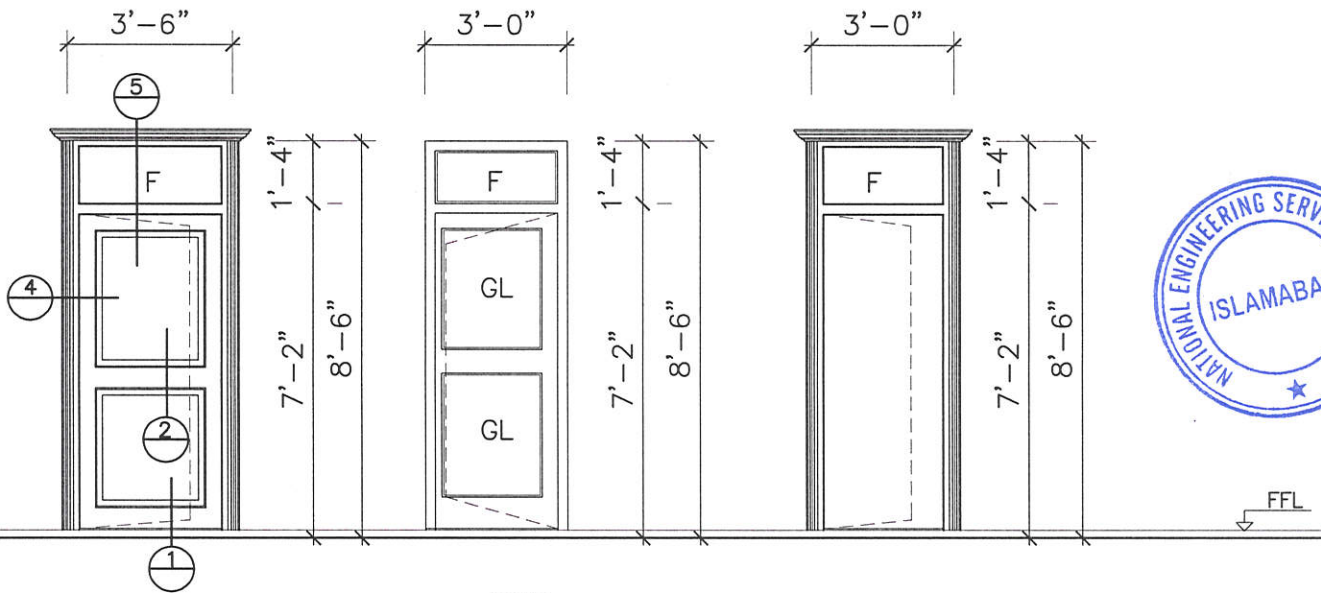
PROJECT STATE BANK OF PAKISTAN NEW OFFICE BUILDING AT DERA ISMAIL KHAN	TITLE SCHEDULE OF DOORS, WINDOWS & VENTILATOR (BUILDING-1)
NATIONAL ENGINEERING SERVICES PAKISTAN (PVT.) LTD. ISLAMABAD	SCALE N.T.S.
NO. 3780/322/BD/01J16	REV. 0
DATE MAY, 2021	

ARCHITECTURAL DETAILS



D1

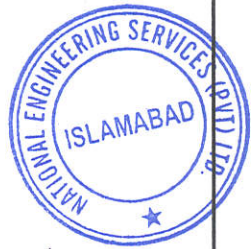
D1a



D2

D3

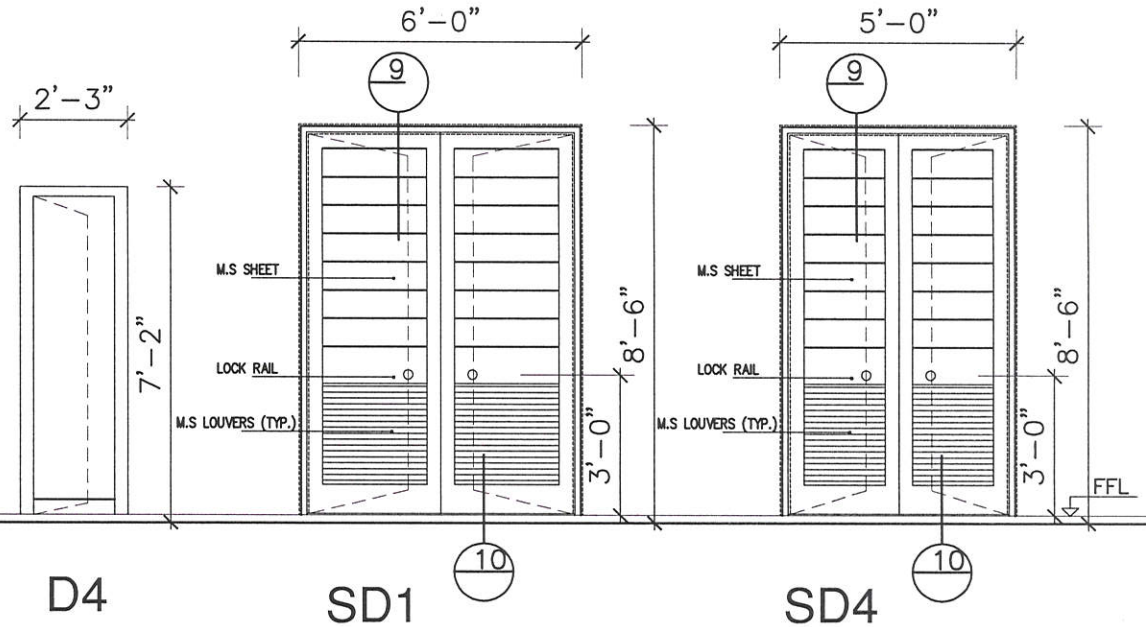
D3a



011 14

PROJECT	STATE BANK OF PAKISTAN NEW OFFICE BUILDING AT DERA ISMAIL KHAN <small>PROJECT</small>	TITLE	DOORS ELEVATION (BUILDING-1)
NATIONAL ENGINEERING SERVICES PAKISTAN (PVT.) LTD. ISLAMABAD		SCALE	NO. 3780/322/BD/01J17
		DATE	REV. 0
		MAY, 2021	

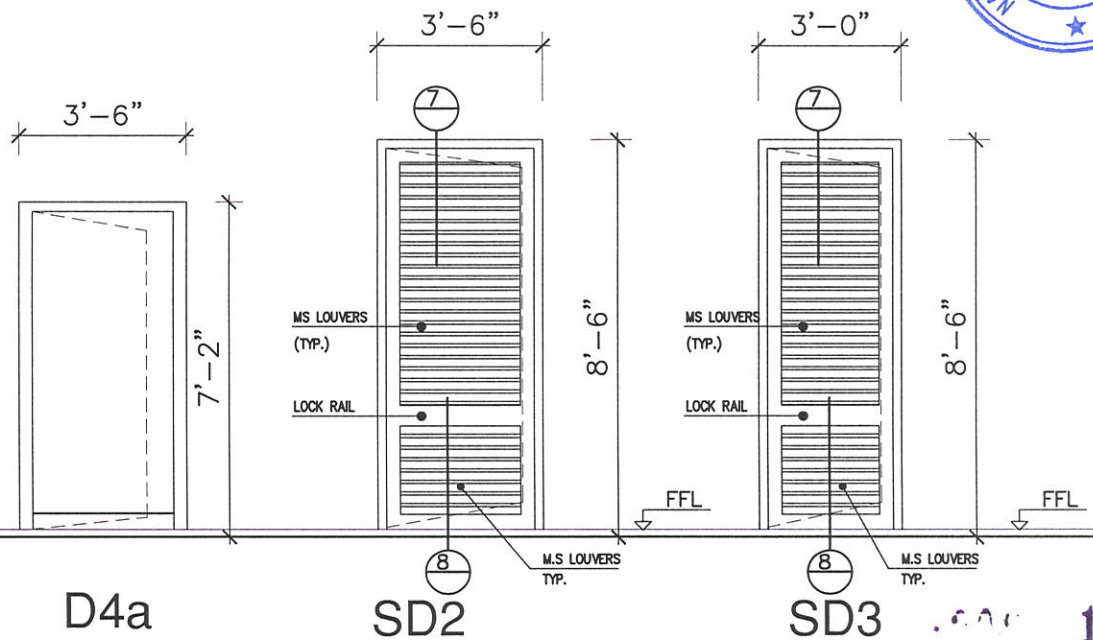
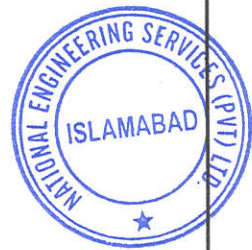
ARCHITECTURAL DETAILS



D4

SD1

SD4



D4a

SD2

SD3

15

PROJECT

STATE BANK OF PAKISTAN
NEW OFFICE BUILDING AT DERA ISMAIL KHAN PROJECT

TITLE

DOORS ELEVATION
(BUILDING-1)

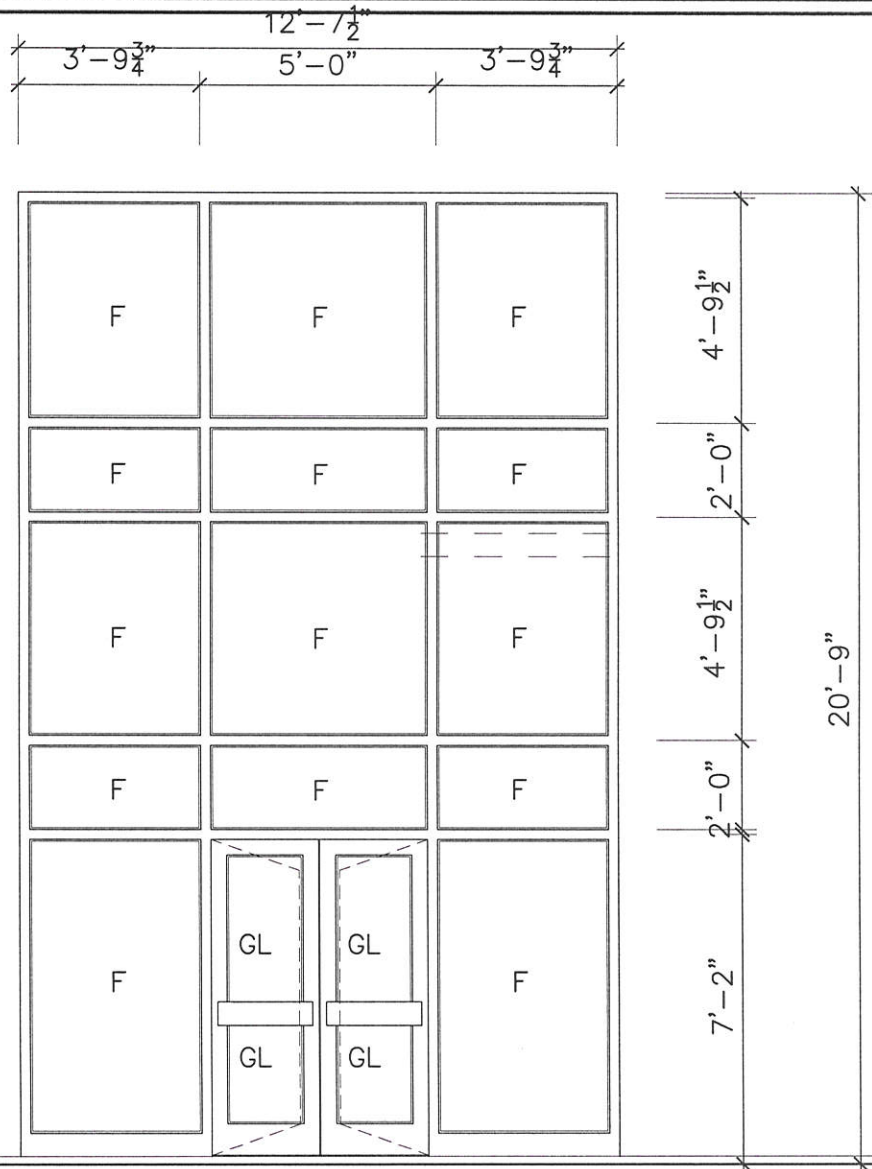
NATIONAL ENGINEERING SERVICES
PAKISTAN (PVT.) LTD. ISLAMABAD

SCALE N.T.S
DATE MAY, 2021

NO. 3780/322/BD/01J18

REV. 0

ARCHITECTURAL DETAILS



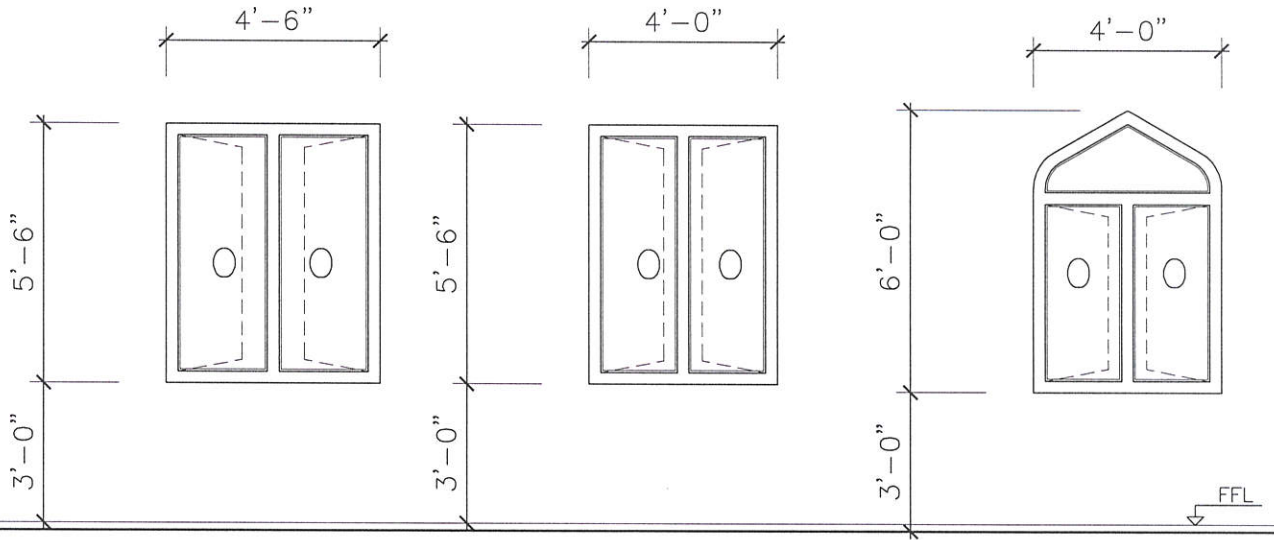
DW1



16

PROJECT STATE BANK OF PAKISTAN NEW OFFICE BUILDING AT DERA ISMAIL KHAN	TITLE DOOR WINDOW ELEVATION (BUILDING-1)	
NATIONAL ENGINEERING SERVICES PAKISTAN (PVT.) LTD. ISLAMABAD	SCALE N.T.S	NO. 3780/322/BD/01J19
DATE MAY, 2021		REV. 0

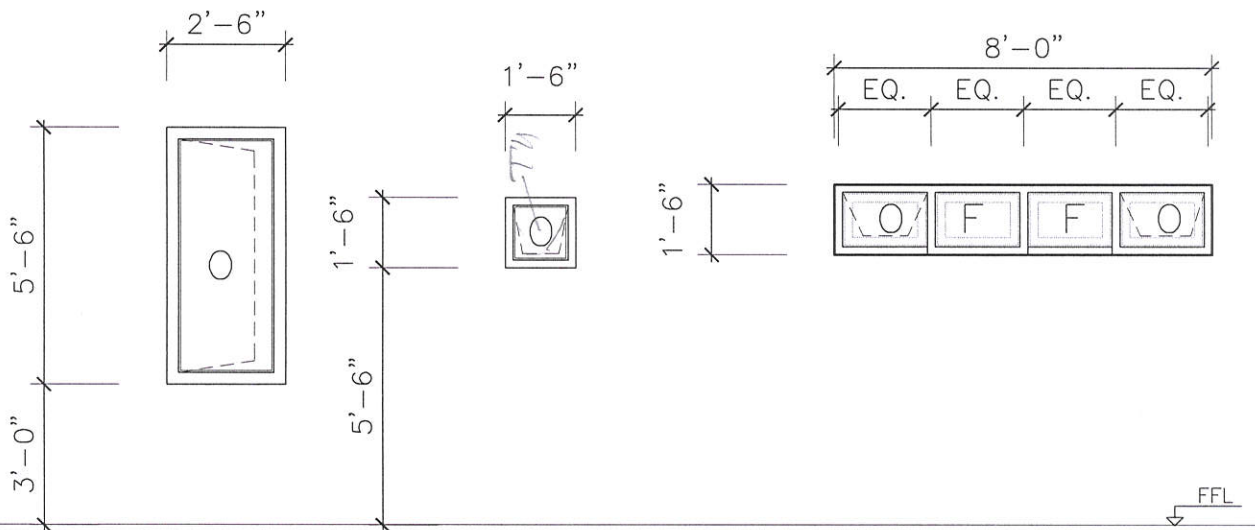
ARCHITECTURAL DETAILS



W1

W2

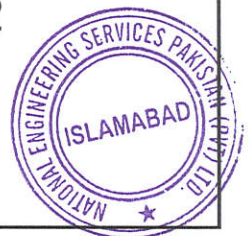
W2a



W3

V1

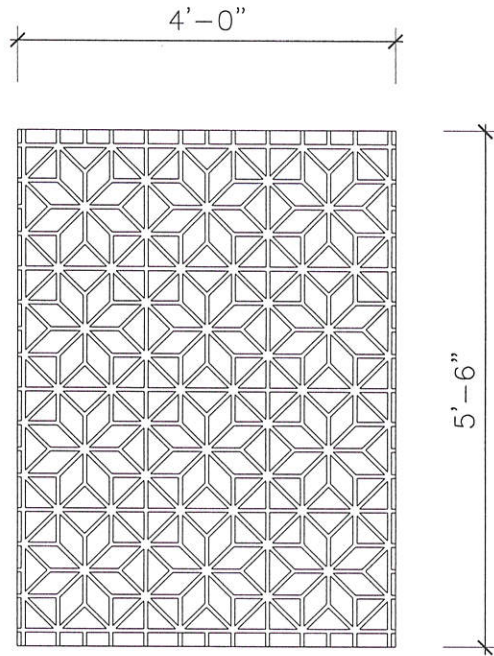
V2



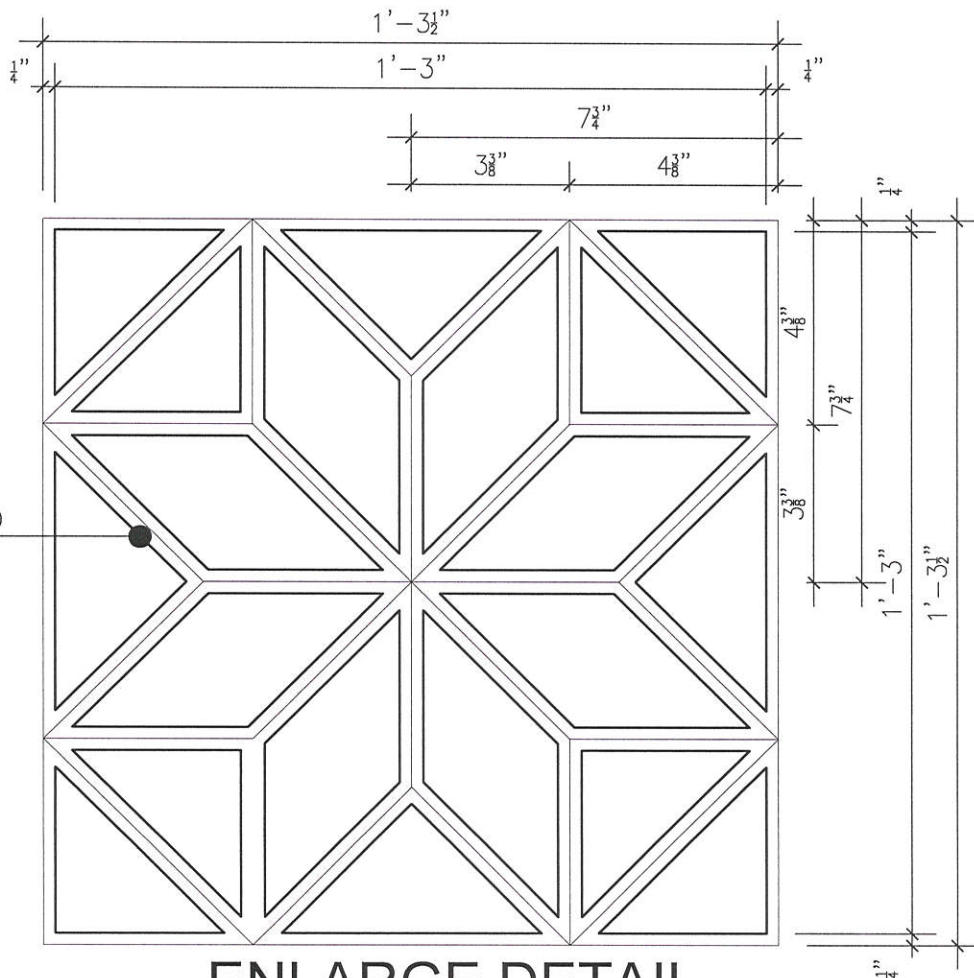
17

PROJECT STATE BANK OF PAKISTAN NEW OFFICE BUILDING AND RERA SMAIL KHAN MANAGEMENT	TITLE WINDOWS & VENTILATORS ELEVATION (BUILDING-1)
NATIONAL ENGINEERING SERVICES PAKISTAN (PVT.) LTD. ISLAMABAD	SCALE N.T.S. DATE MAY, 2021
NO. 3780/322/BD/01J20	REV. 0

ARCHITECTURAL DETAILS

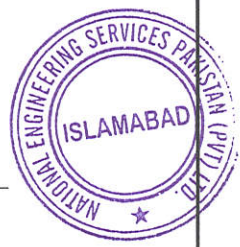


GRILL ELEVATION



ENLARGE DETAIL

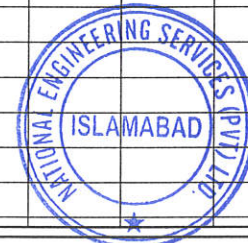
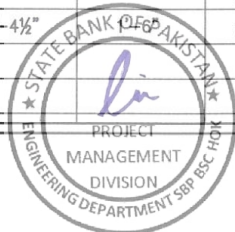
18



PROJECT	STATE BANK OF PAKISTAN NEW OFFICE BUILDING AND RERA SMAIL KHAN <small>MANAGEMENT</small>	TITLE	TYPICAL DETAIL OF WINDOW GRILL		
NATIONAL ENGINEERING SERVICES PAKISTAN (PVT.) LTD. ISLAMABAD	STATE BANK OF PAKISTAN ENGINEERING DEPARTMENT	SCALE	N.T.S	NO.	3780/322/BD/01J21
		DATE	MAY, 2021	REV.	0

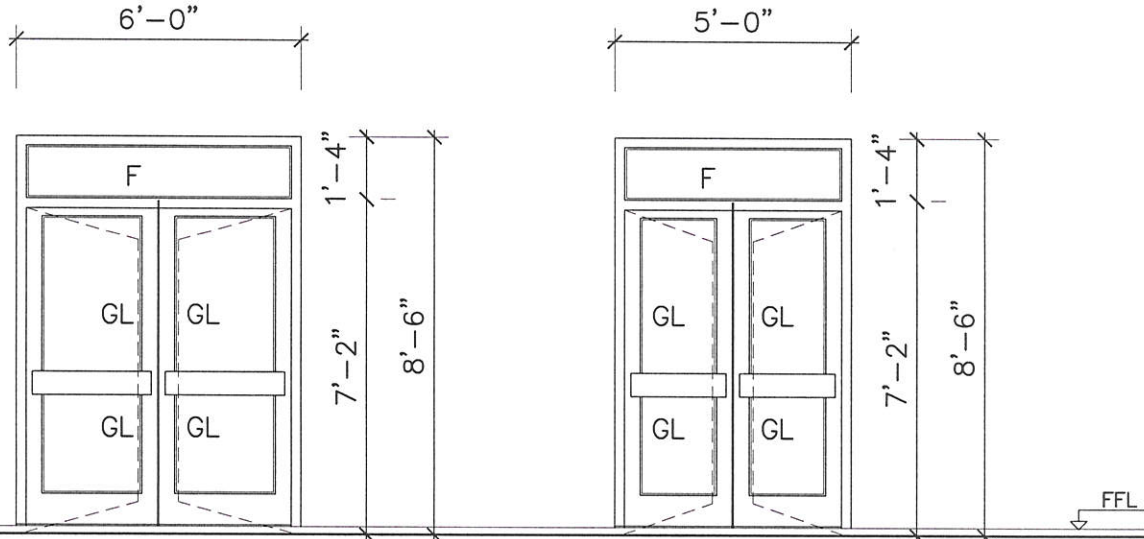
ARCHITECTURAL DETAILS

TYPE	DESCRIPTION	MASONRY OPENING		MATERIAL		FINISHES		H A R D W A R E								
		WIDTH	HEIGHT	FRAME	SHUTTER	FRAME	SHUTTER	HOLD FAST	HINGES	LOCKS	TOWER BOLTS	PUSH PLATE	KICK PLATE	DOOR CLOSER	DOOR HANDLE	L DROP
D1	AL-DL-FL	6'-0"	8'-6"	DW	DW	LP	LP	F1	HI	L3	TB	-	-	DC	DH	
D2	AL-DL-FL	5'-0"	8'-6"													
D3	PD-DL-FL	5'-0"	8'-6"	DW	DW	LP	LP	F1	HI	L3	TB	-	-	DC	DH	
D4	AL-DL-FL	3'-6"	8'-6"	AL	AL-GL	PC	PC-CG									
D5	PD-SL-FL	3'-6"	8'-6"	DW	DW-PW-CP	LP	LP	F1	H1	L2	TB	-	-	DC	DH	
D6	FD-SL-FL	3'-0"	8'-6"	DW	PW-CP	P	P	F1	H1	L2	TB	-	-	DC	DH	
D7	FD-SL-FL	2'-6"	8'-6"	DW	PW-CP	P	P	F1	H1	L2	TB	-	-	DC	DH	
D7a	uPVC-SL	2'-3"	7'-2"	uPVC	uPVC	ORIGINAL FINISH	ORIGINAL FINISH									
AS	ARMoured SHUTTER	15'-0"	17'-6"													
SST	AS PER SBP SPECIFICATION	5'-6"	7'-2"													
VD	VAULT DOOR	4'-0"	8'-0"													
LVD	LOCAL VAULT DOOR	4'-0"	8'-0"													
SD1	SD-DL	5'-0"	8'-6"	SBS	MS	P	P	F1	H1	L2	-	PP	KP	-	-	
SD2	SD-SL	3'-6"	8'-6"	SBS	MS	P	P	F1	H1	L2	-	PP	KP	-	-	
GD1	SD-DL	6'-0"	7'-2"													
GD2	SD-SL	4'-0"	8'-0"													
DVD1		2'-8"	1'-6"													
DVD2		2'-6"	1'-10"													
DVD3		2'-2"	1'-8"													
DVD4		1'-8"	1'-6"													
DVD5		1'-6"	1'-2"													
DVD6		1'-2"	1'-0"													
DVD7		1'-2"	0'-10"													
W1	uPVC-O-GRILL	4'-0"	5'-6"	uPVC	uPVC-GL	ORIGINAL FINISH	DG-CG									
W1a	uPVC-O-GRILL	4'-0"	6'-0"	uPVC	uPVC-GL	ORIGINAL FINISH	DG-CG									
W2	uPVC-O-GRILL	2'-6"	5'-6"	uPVC	uPVC-GL	ORIGINAL FINISH	DG-CG									
V1	uPVC-O-GRILL	6'-4½"		uPVC	uPVC-GL	ORIGINAL FINISH	DG-CG									



PROJECT		STATE BANK OF PAKISTAN NEW OFFICE BUILDING AT DERA ISMAIL KHAN		TITLE SCHEDULE OF DOORS, WINDOWS & VENTILATOR (BUILDING-2)	
NATIONAL ENGINEERING SERVICES PAKISTAN (PVT.) LTD. ISLAMABAD		SCALE	N.T.S	NO.	REV.
		DATE	MAY, 2021	3780/322/BD/01J22	0

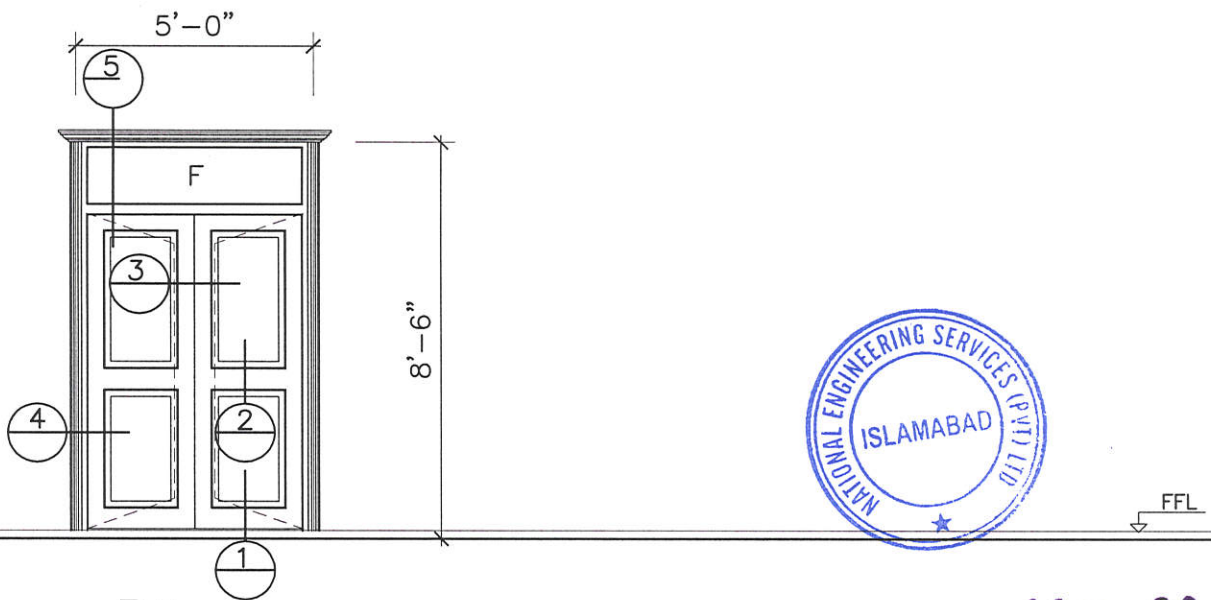
ARCHITECTURAL DETAILS



D1

ORIGINAL FINISH

D2

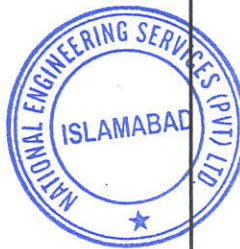
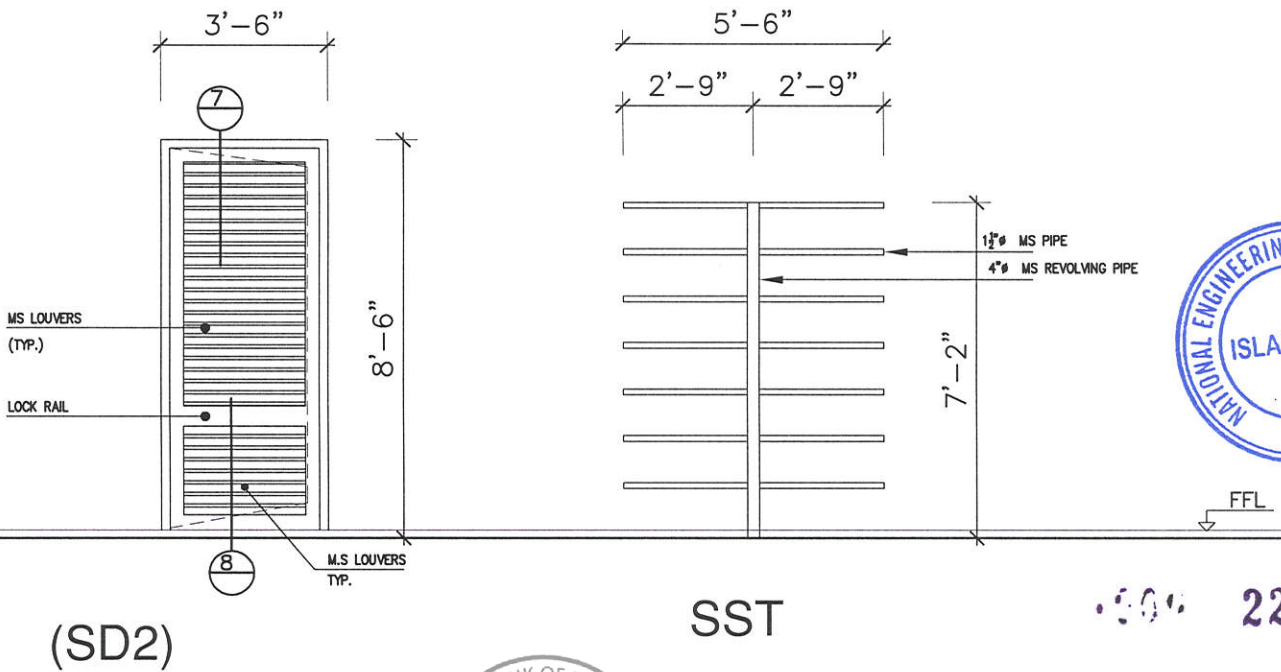
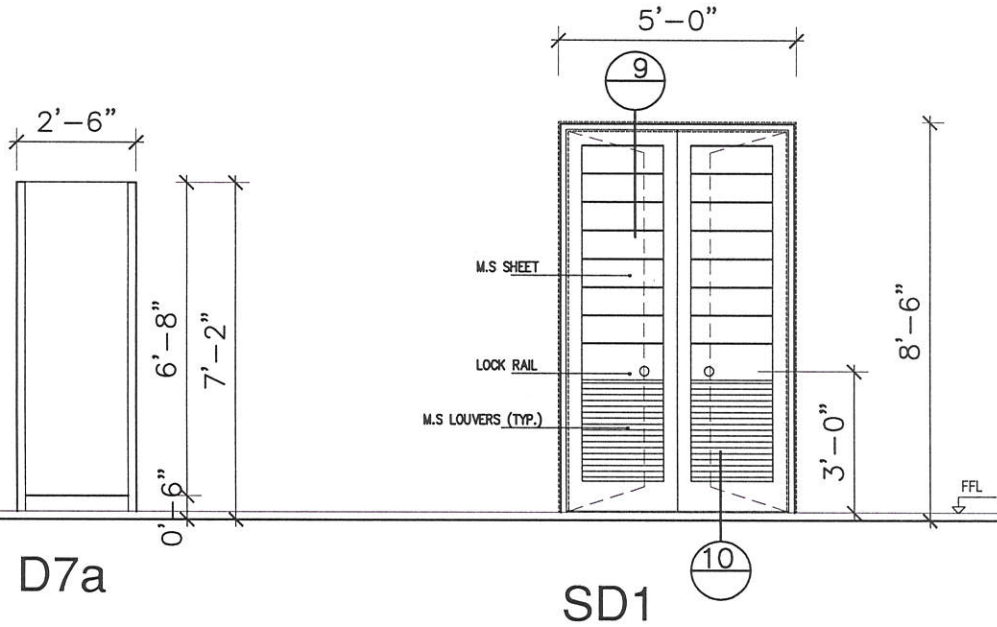


D3

004 20

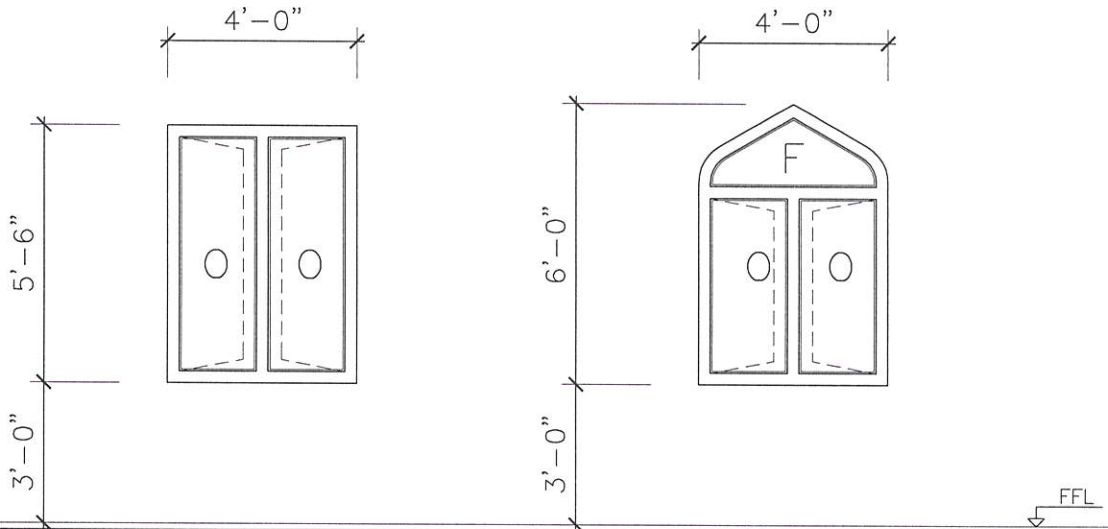
PROJECT	STATE BANK OF PAKISTAN NEW OFFICE BUILDING AT DERA ISMAIL KHAN	TITLE	DOORS ELEVATION (BUILDING-2)	
NATIONAL ENGINEERING SERVICES PAKISTAN (PVT.) LTD. ISLAMABAD		SCALE	N.T.S	NO.
		DATE	MAY, 2021	3780/322/BD/01J23
				REV. 0

ARCHITECTURAL DETAILS



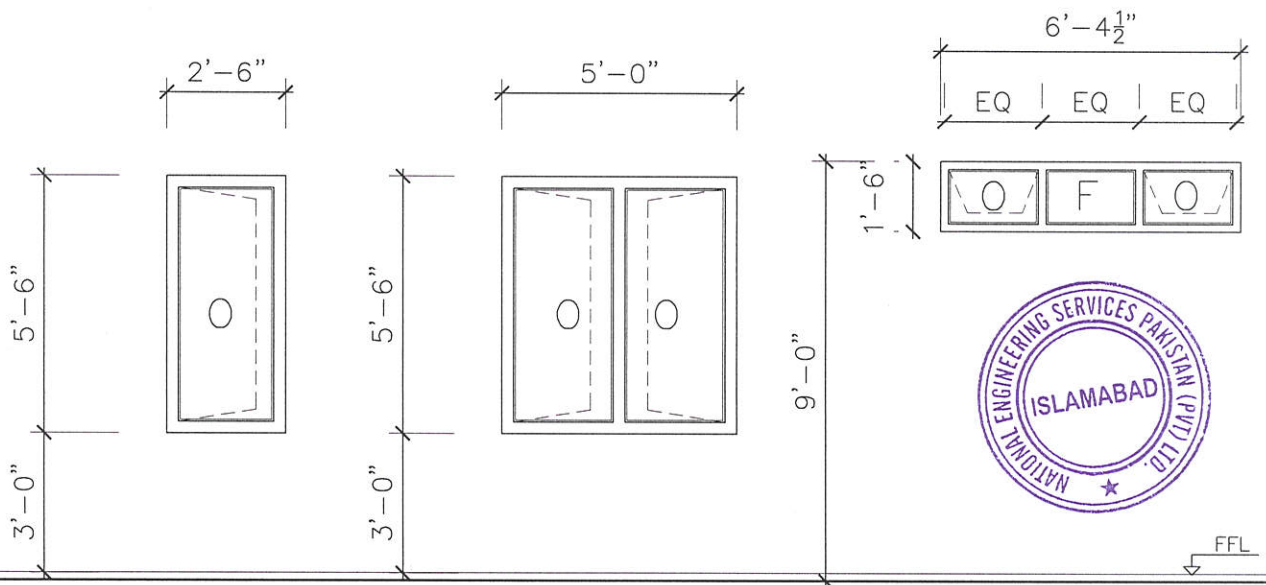
PROJECT STATE BANK OF PAKISTAN NEW OFFICE BUILDING AT DERA ISMAIL KHAN	TITLE DOORS ELEVATION (BUILDING-2)
NATIONAL ENGINEERING SERVICES PAKISTAN (PVT.) LTD. ISLAMABAD	SCALE N.T.S
DATE MAY, 2021	NO. 3780/322/BD/01J25
REV. 0	CAD by FAROOQ

ARCHITECTURAL DETAILS



W1

W1a



W2

W3

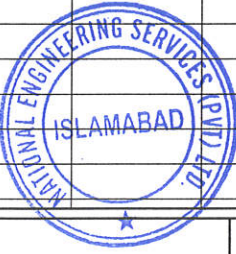
V1

23

<p>PROJECT STATE BANK OF PAKISTAN NEW OFFICE BUILDING AT FEDERA ISMAIL KHAN</p>	<p>TITLE WINDOWS & VENTILATORS ELEVATION (BUILDING-2)</p>
<p>NATIONAL ENGINEERING SERVICES PAKISTAN (PVT.) LTD. ISLAMABAD</p>	<p>SCALE N.T.S. NO. 3780/322/BD/01J26 DATE MAY, 2021</p>
	<p>REV. 0</p>

ARCHITECTURAL DETAILS

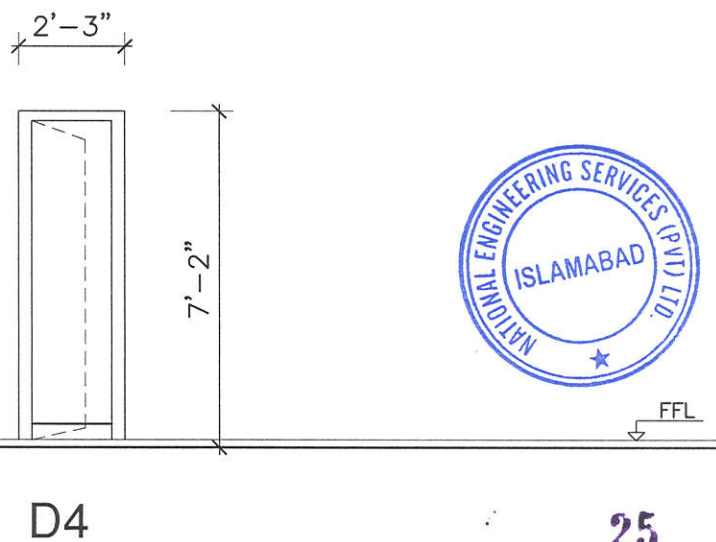
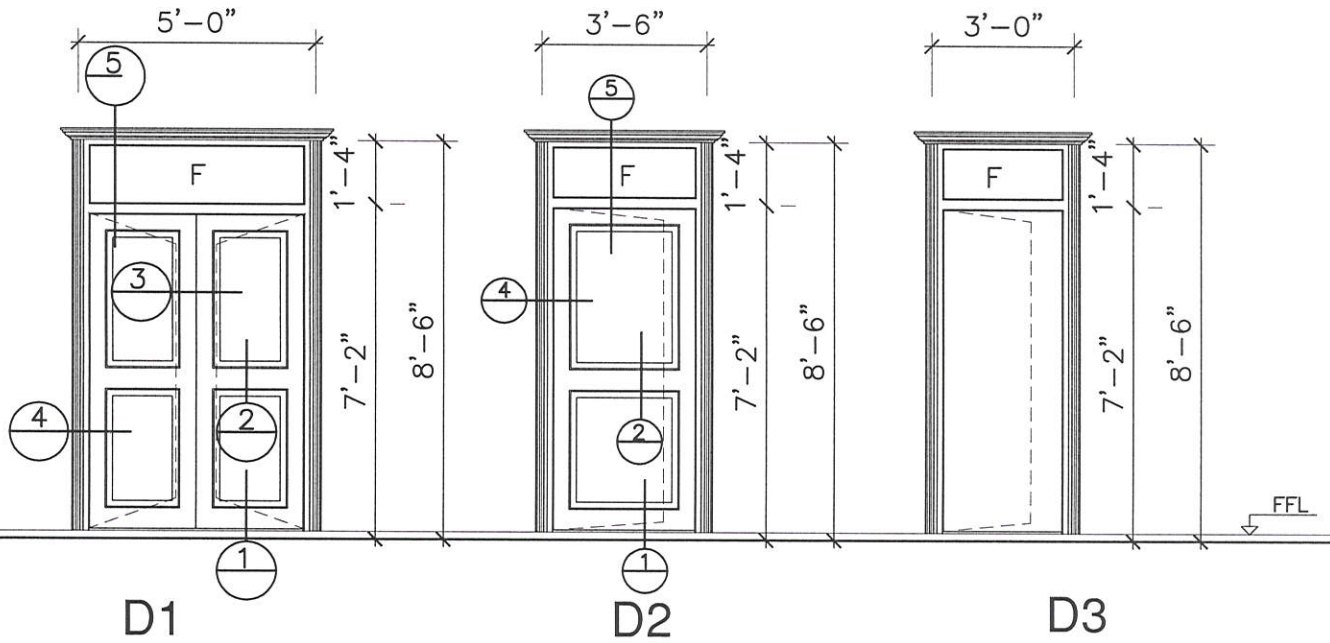
TYPE	DESCRIPTION	MASONRY OPENING		MATERIAL		FINISHES		H A R D W A R E								
		WIDTH	HEIGHT	FRAME	SHUTTER	FRAME	SHUTTER	HOLD FAST	HINGES	LOCKS	TOWER BOLTS	PUSH PLATE	KICK PLATE	DOOR CLOSER	DOOR HANDLE	L DROP
D1	PD-DL-FL	5'-0"	8'-6"	DW	DW	LP	LP	F1	H1	L2	TB	-	-	DC	DH	
D2	PD-SL-FL	3'-6"	8'-6"	DW	DW	LP	LP	F1	H1	L2	TB	-	-	DC	DH	
D3	FD-SL-FL	3'-0"	8'-6"	DW	PW-CP	LP	LP	F1	H1	L2	TB	-	-	DC	DH	
D4	FD-SL-FL	2'-3"	8'-6"	DW	PW-CP	P	P	F1	H1	L2	-	-	KP	-	-	
SD1	SD-DL	10'-0"	8'-6"	SBS	MS	P	P	F1	H2	L2	-	PP	KP	-	-	
SD2	SD-DL	6'-0"	8'-6"	SBS	MS	P	P	F1	H2	L2	-	PP	KP	-	-	
SD3	SD-SL	3'-0"	7'-2"	SBS	MS	P	P	F1	H2	L2	-	PP	KP	-	-	
W1	uPVC-O-GRILL	2'-6"	5'-0"	uPVC	uPVC-GL	ORIGINAL FINISH	DG-CG									
V1	uPVC-O-GRILL	6'-0"	2'-0"	uPVC	uPVC-GL	ORIGINAL FINISH	DG-CG									



24

PROJECT		STATE BANK OF PAKISTAN NEW OFFICE BUILDING AT DERA ISMAIL KHAN	TITLE SCHEDULE OF DOORS, WINDOWS & VENTILATOR (BUILDING-4)				
		 NATIONAL ENGINEERING SERVICES PAKISTAN (PVT.) LTD. ISLAMABAD	SCALE	N.T.S	NO. 3780/322/BD/01J27	REV.	
			DATE	MAY, 2021		0	

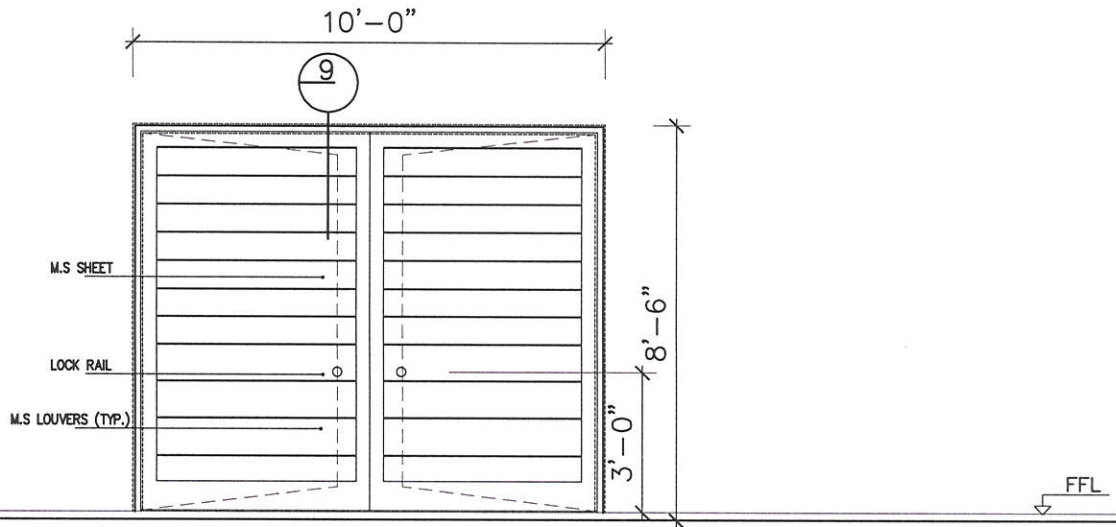
ARCHITECTURAL DETAILS



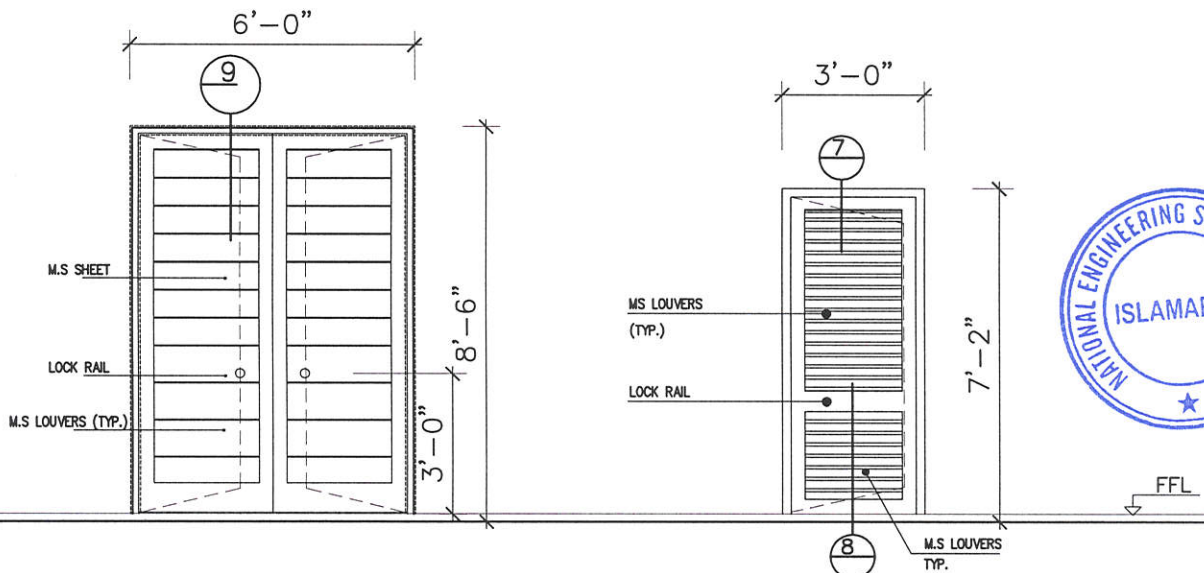
25

PROJECT <b style="text-align: center;">STATE BANK OF PAKISTAN NEW OFFICE BUILDING AT DERAI ISMAIL KHAN	TITLE <b style="text-align: center;">DOORS ELEVATION (BUILDING-4)
NATIONAL ENGINEERING SERVICES PAKISTAN (PVT.) LTD. ISLAMABAD	SCALE N.T.S DATE MAY, 2021
NO. 3780/322/BD/01J28	
REV. 0	

ARCHITECTURAL DETAILS



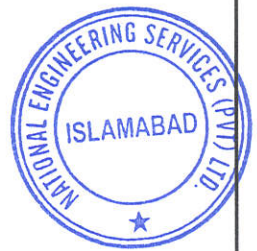
SD1



SD2

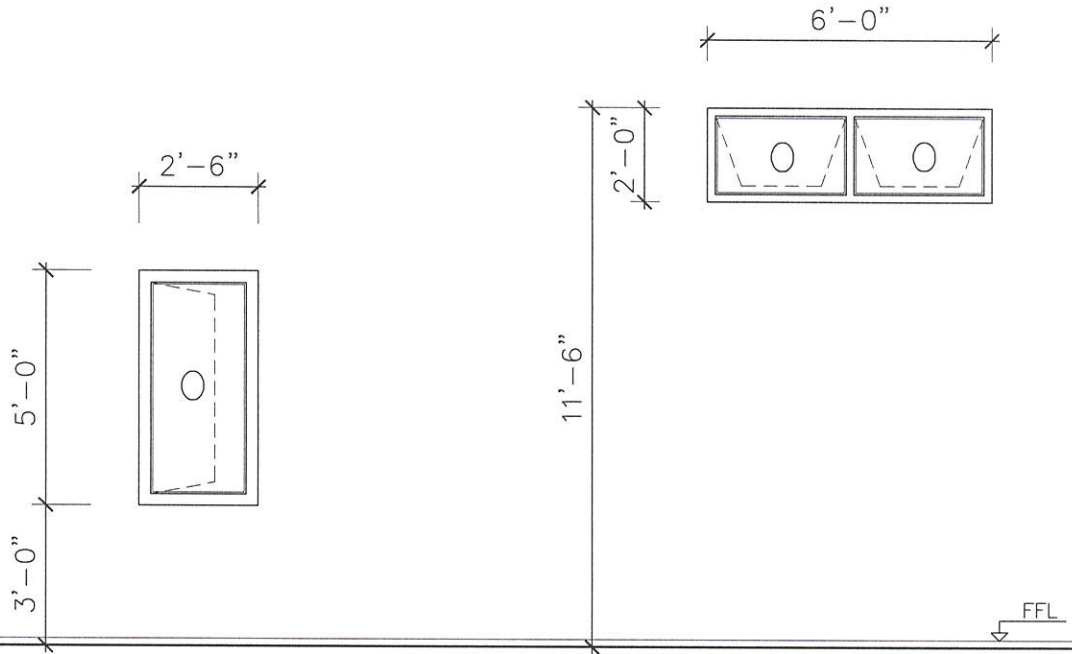
SD3

26



PROJECT <b style="text-align: center;">STATE BANK OF PAKISTAN NEW OFFICE BUILDING AT DERAL ISMAIL KHAN	TITLE <b style="text-align: center;">DOORS ELEVATION (BUILDING-4)
NATIONAL ENGINEERING SERVICES PAKISTAN (PVT.) LTD. ISLAMABAD	SCALE N.T.S DATE MAY, 2021
NO. 3780/322/BD/01J29	REV. 0

ARCHITECTURAL DETAILS



W1

V1

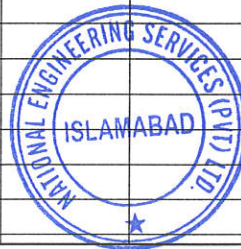
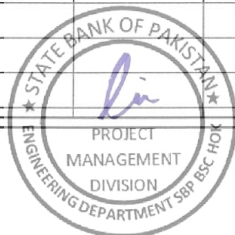
27



<p>PROJECT</p> <p style="text-align: center;">STATE BANK OF PAKISTAN NEW OFFICE BUILDING AND DERA ISMAIL KHAN</p>	<p>TITLE</p> <p style="text-align: center;">WINDOWS & VENTILATORS ELEVATION (BUILDING-4)</p>												
<p>NATIONAL ENGINEERING SERVICES PAKISTAN (PVT.) LTD. ISLAMABAD</p>	<table border="1" style="width: 100%; border-collapse: collapse;"> <tr> <td style="width: 30%;">SCALE</td> <td style="width: 40%;">NO.</td> <td style="width: 30%;">REV.</td> </tr> <tr> <td style="text-align: center;">N.T.S</td> <td style="text-align: center;">3780/322/BD/01J30</td> <td style="text-align: center;">0</td> </tr> <tr> <td>DATE</td> <td colspan="2"></td> </tr> <tr> <td style="text-align: center;">MAY, 2021</td> <td colspan="2"></td> </tr> </table>	SCALE	NO.	REV.	N.T.S	3780/322/BD/01J30	0	DATE			MAY, 2021		
SCALE	NO.	REV.											
N.T.S	3780/322/BD/01J30	0											
DATE													
MAY, 2021													

ARCHITECTURAL DETAILS

TYPE	DESCRIPTION	MASONRY OPENING		MATERIAL		FINISHES		H A R D W A R E								
		WIDTH	HEIGHT	FRAME	SHUTTER	FRAME	SHUTTER	HOLD FAST	HINGES	LOCKS	TOWER BOLTS	PUSH PLATE	KICK PLATE	DOOR CLOSER	DOOR HANDLE	L DROP
D1	PD-DL	5'-0"	7'-2"	DW	DW-PW-CP	P	P	F1	H1	L2	TB	-	-	DC	DH	
D2	PD-SL	3'-6"	7'-2"	DW	DW-PW-CP	P	P	F1	H1	L2	TB	-	-	DC	DH	
D3	FD-SL	3'-0"	7'-2"	DW	PW-CP	P	P	F1	H1	L2	TB	-	-	DC	DH	
D4	FD-SL	2'-6"	7'-2"	DW	PW-CP	P	P	F1	H1	L2	TB	-	-	DC	DH	
SD1	SD-SL	3'-6"	7'-2"	SBS	MS	P	P	F1	H2	L2	-	PP	KP	-	-	
W1	uPVC-O-GRILL	8'-0"	5'-0"	uPVC	uPVC-GL	ORIGINAL FINISH	DG-CG									
W2	uPVC-O-GRILL	6'-0"	5'-0"	uPVC	uPVC-GL	ORIGINAL FINISH	DG-CG									
W3	uPVC-O-GRILL	5'-0"	5'-0"	uPVC	uPVC-GL	ORIGINAL FINISH	DG-CG									
W4	uPVC-O-GRILL	3'-6"	3'-6"	uPVC	uPVC-GL	ORIGINAL FINISH	DG-CG									
V1	uPVC-O-GRILL	2'-0"	5'-0"	uPVC	uPVC-GL	ORIGINAL FINISH	DG-CG									



28

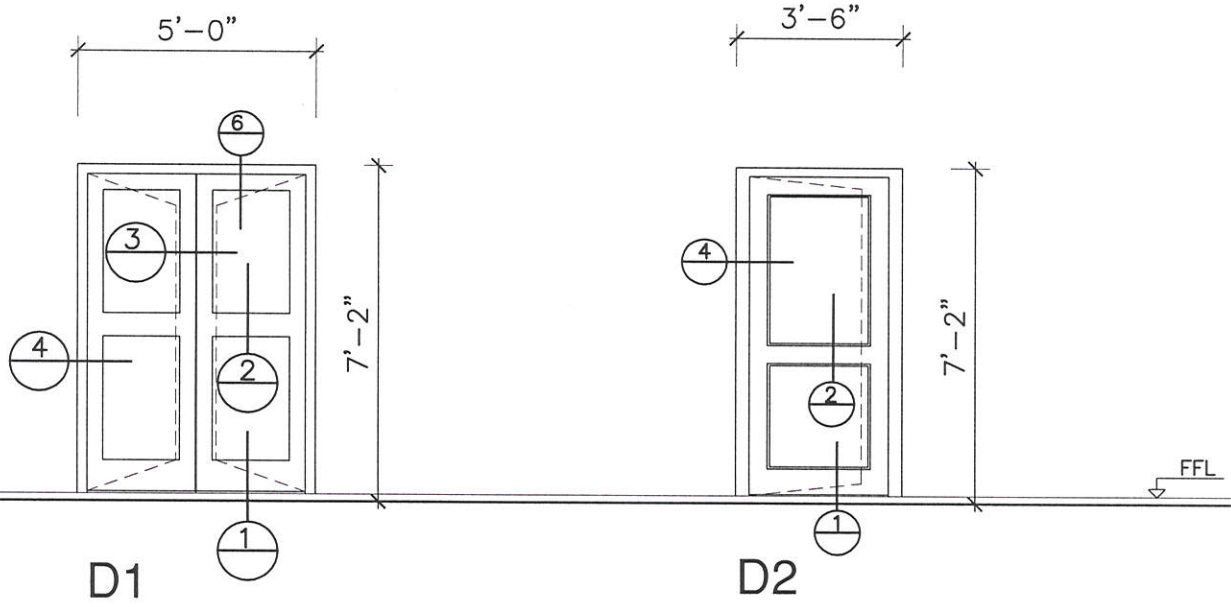
PROJECT STATE BANK OF PAKISTAN
NEW OFFICE BUILDING AT DERA ISMAIL KHAN

TITLE SCHEDULE OF DOORS, WINDOWS & VENTILATOR (BUILDING-5)

NATIONAL ENGINEERING SERVICES
PAKISTAN (PVT.) LTD. ISLAMABAD

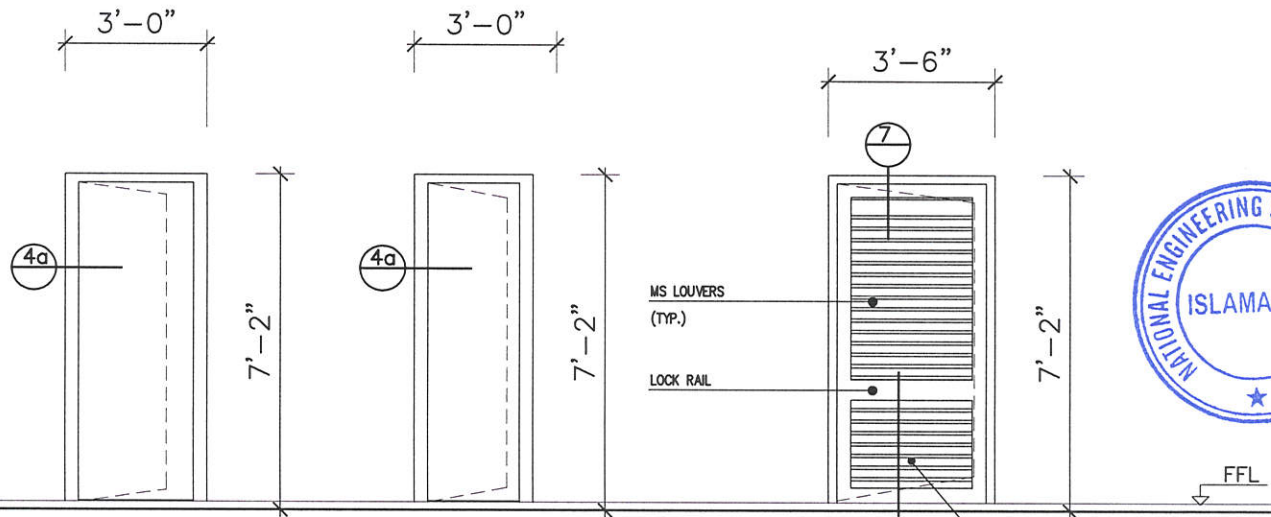
SCALE N.T.S. NO. 3780/322/BD/01J31
DATE MAY, 2021 REV. 0

ARCHITECTURAL DETAILS



D1

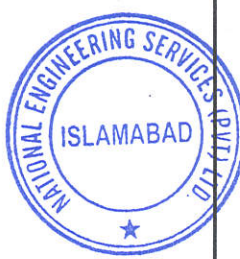
D2



D3

D4

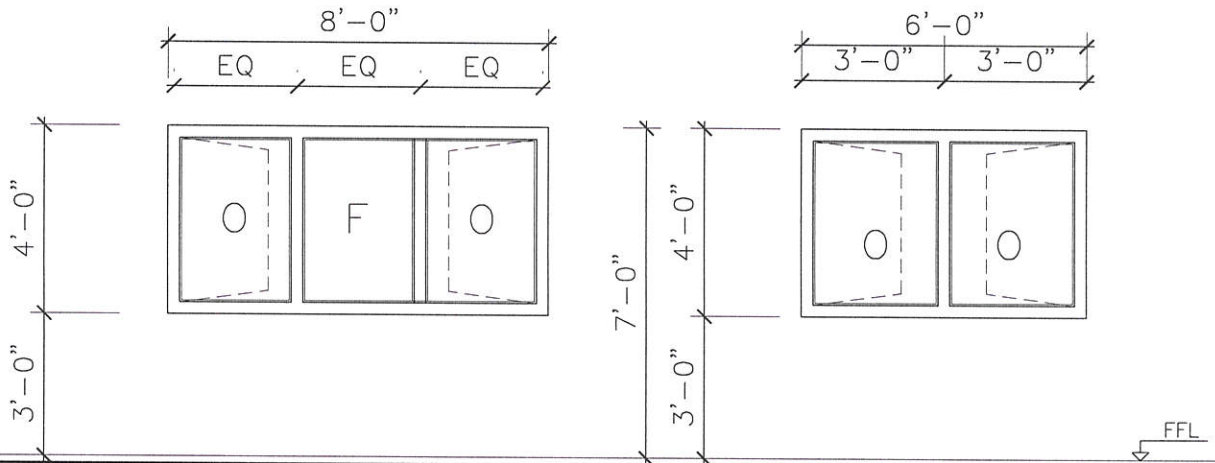
(SD1)



29

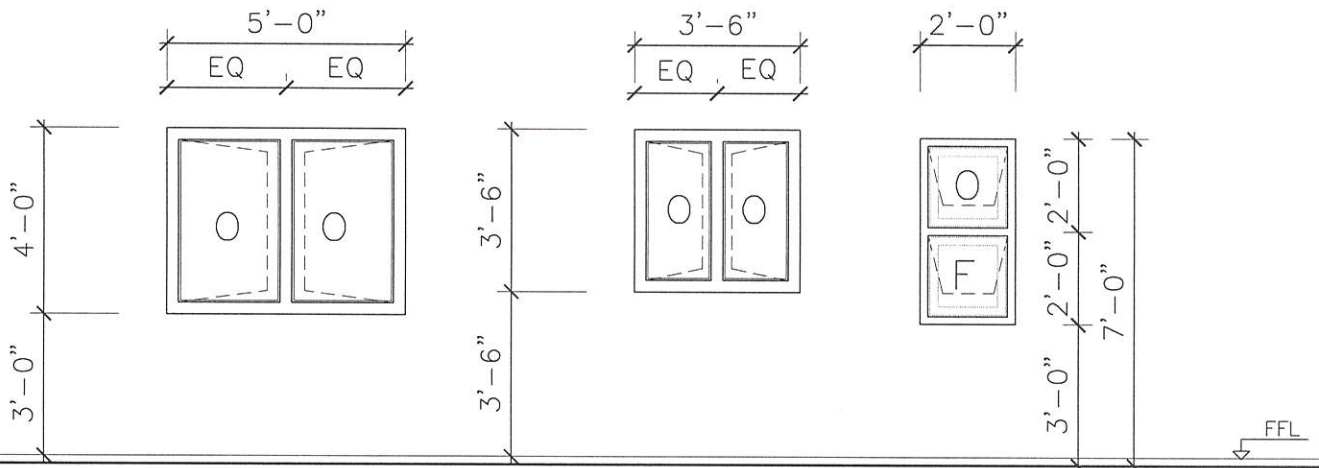
<p>PROJECT</p> <p style="text-align: center;">STATE BANK OF PAKISTAN NEW OFFICE BUILDING AT DERAL ISMAIL KHAN</p>	<p>TITLE</p> <p style="text-align: center;">DOORS ELEVATION (BUILDING-5)</p>												
<p>NATIONAL ENGINEERING SERVICES PAKISTAN (PVT.) LTD. ISLAMABAD</p>	<table border="1" style="width: 100%; border-collapse: collapse;"> <tr> <td style="width: 30%;">SCALE</td> <td style="width: 30%;">NO.</td> <td style="width: 40%;">REV.</td> </tr> <tr> <td style="text-align: center;">N.T.S</td> <td style="text-align: center;">3780/322/BD/01J32</td> <td style="text-align: center;">0</td> </tr> <tr> <td>DATE</td> <td colspan="2"></td> </tr> <tr> <td style="text-align: center;">MAY, 2021</td> <td colspan="2"></td> </tr> </table>	SCALE	NO.	REV.	N.T.S	3780/322/BD/01J32	0	DATE			MAY, 2021		
SCALE	NO.	REV.											
N.T.S	3780/322/BD/01J32	0											
DATE													
MAY, 2021													

ARCHITECTURAL DETAILS



W1

W2



W3

W4

V1

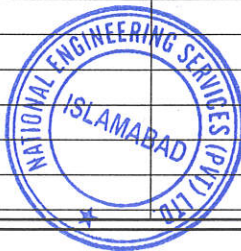
30



PROJECT STATE BANK OF PAKISTAN NEW OFFICE BUILDING AT PATERA SMAIL KHAN <small>MANAGEMENT</small>	TITLE WINDOWS ELEVATION (BUILDING-5)
NATIONAL ENGINEERING SERVICES PAKISTAN (PVT.) LTD. ISLAMABAD	SCALE N.T.S DATE MAY, 2021
NO. 3780/322/BD/01J33	REV. 0

ARCHITECTURAL DETAILS

TYPE	DESCRIPTION	MASONRY OPENING		MATERIAL		FINISHES		H A R D W A R E								
		WIDTH	HEIGHT	FRAME	SHUTTER	FRAME	SHUTTER	HOLD FAST	HINGES	LOCKS	TOWER BOLTS	PUSH PLATE	KICK PLATE	DOOR CLOSER	DOOR HANDLE	L DROP
DT1	AS PER SBP SPECIFICATION	4'-0"	7'-2"													
DT2	AS PER SBP SPECIFICATION	4'-0"	7'-2"													
D1	FD-SL	2'-6"	7'-2"	DW	PW-CP	P	P	F1	H1	L2	TB	-	-	DC	DH	
SST	AS PER SBP SPECIFICATION	5'-6"	7'-2"													
SD1	SD-SL	6'-0"	7'-2"	SBS	MS	P	P	F1	H2 (180°)	L2	-	PP	KP	-	-	
SD2	SD-SL	3'-6"	7'-2"	SBS	MS	P	P	F1	H2	L2		PP	KP			
W1	uPVC-O-GRILL	6'-0"	5'-0"	uPVC	uPVC-GL	ORIGINAL FINISH	DG-CG									
W2	uPVC-O-GRILL	5'-0"	4'-0"	uPVC	uPVC-GL	ORIGINAL FINISH	DG-CG									
V1	uPVC-O-GRILL	5'-0"	2'-6"	uPVC	uPVC-GL	ORIGINAL FINISH	DG-CG									
V2	uPVC-O-GRILL	2'-0"	2'-0"	uPVC	uPVC-GL	ORIGINAL FINISH	DG-CG									

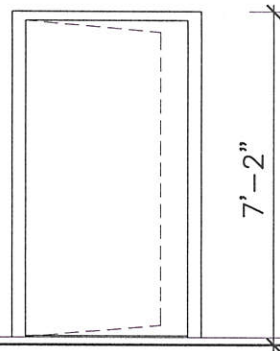
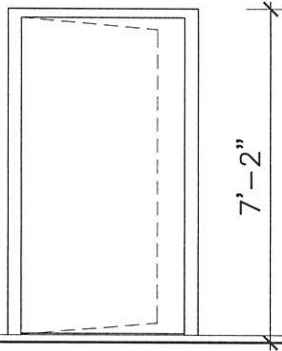


PROJECT	STATE BANK OF PAKISTAN NEW OFFICE BUILDING AT DERA ISMAIL KHAN		TITLE	SCHEDULE OF DOORS, WINDOWS & VENTILATOR (BUILDINGS - 6 & 3)	
 NATIONAL ENGINEERING SERVICES PAKISTAN (PVT.) LTD. ISLAMABAD	SCALE	N.T.S	NO.	3780/322/BD/01J34	
	DATE	MAY, 2021	REV.	0	

ARCHITECTURAL DETAILS

4'-0"

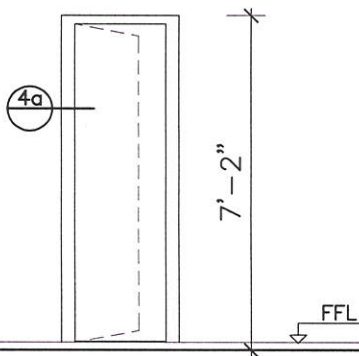
4'-0"



DT1

DT2

2'-6"

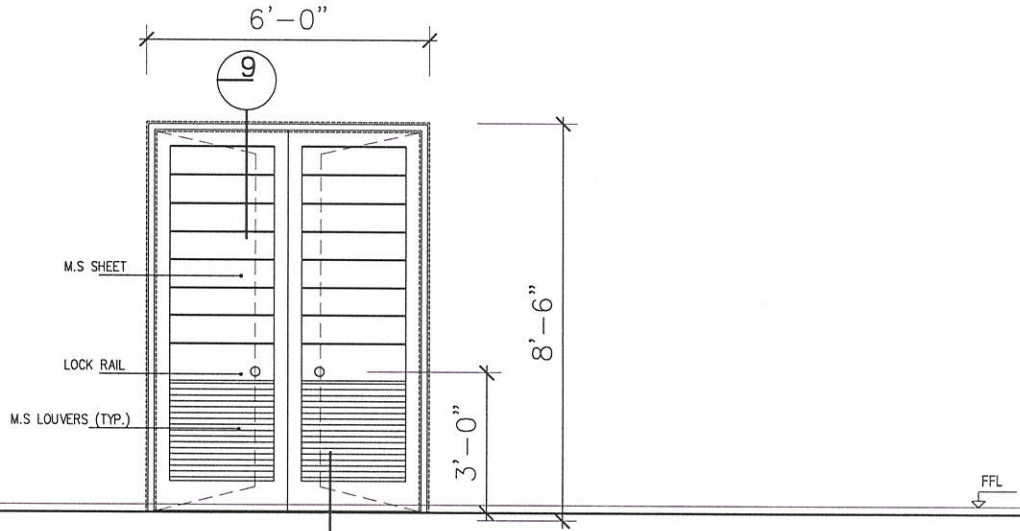


D1

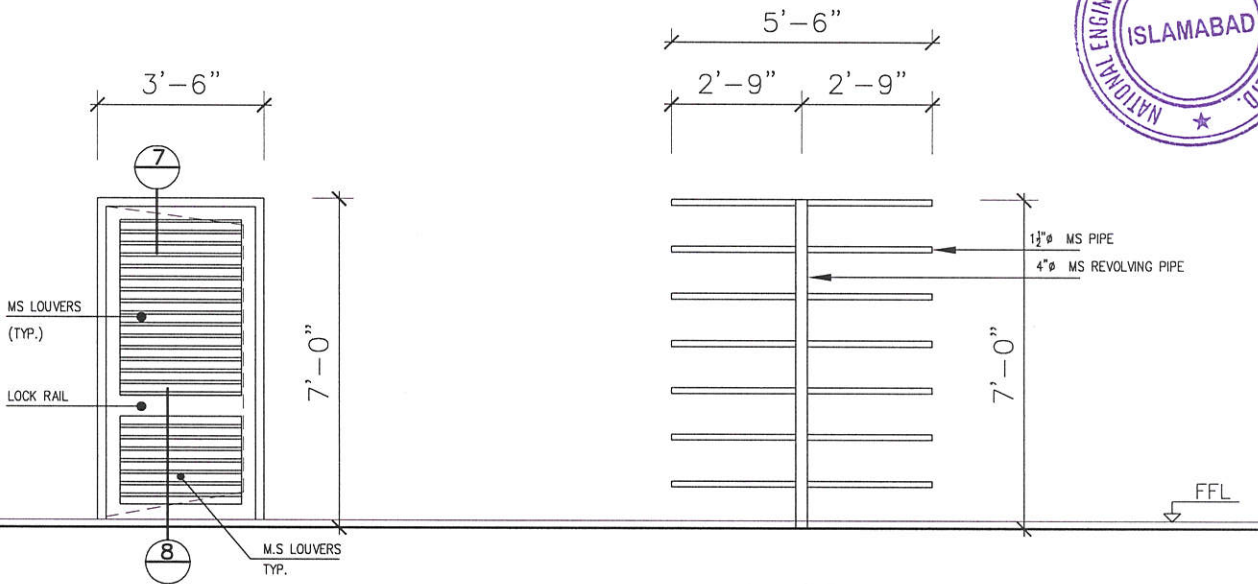
32

PROJECT STATE BANK OF PAKISTAN NEW OFFICE BUILDING AT DERALSMAIL KHAN	TITLE DOORS ELEVATION (BUILDING - 6 & 7)
NATIONAL ENGINEERING SERVICES PAKISTAN (PVT.) LTD. ISLAMABAD	SCALE N.T.S DATE MAY, 2021
NO. 3780/322/BD/01J35	
REV. 0	

ARCHITECTURAL DETAILS



SD1



(SD2)

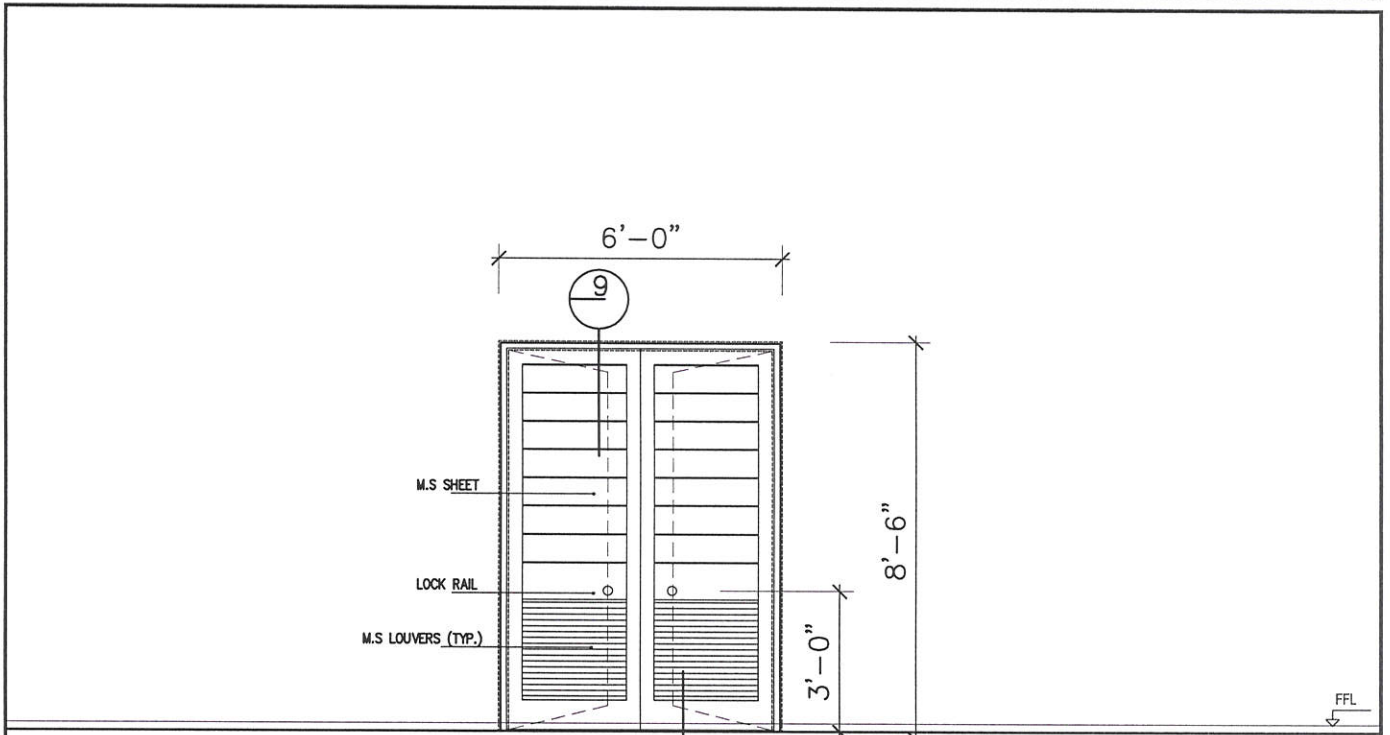
SST

33

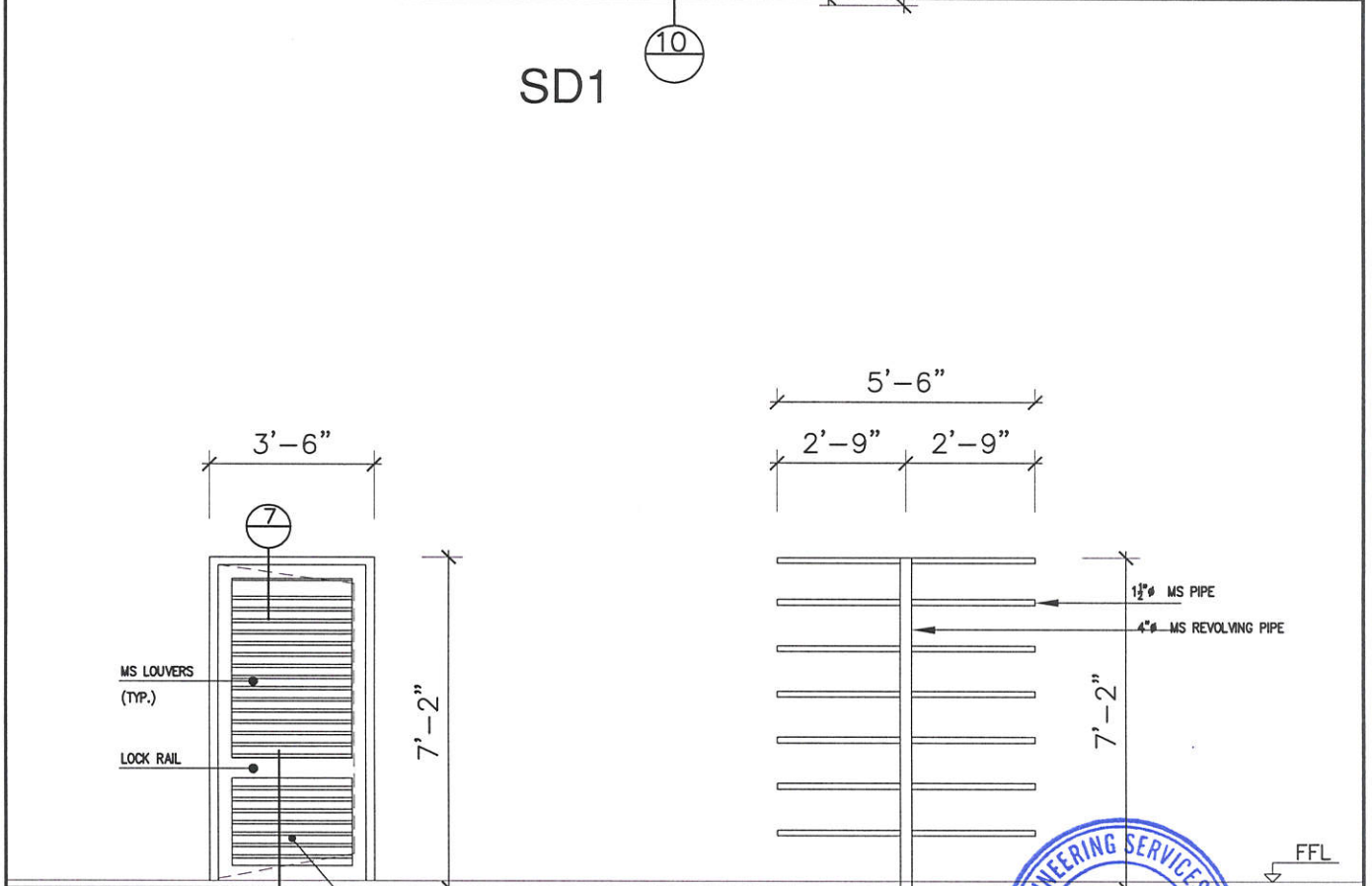


<p>PROJECT</p> <p style="text-align: center;">STATE BANK OF PAKISTAN NEW OFFICE BUILDING AT DERA ISMAIL KHAN</p>	<p>TITLE</p> <p style="text-align: center;">DOORS ELEVATION (BUILDING - 6 & 7)</p>												
<p>NATIONAL ENGINEERING SERVICES PAKISTAN (PVT.) LTD. ISLAMABAD</p>	<table border="1" style="width: 100%; border-collapse: collapse;"> <tr> <td style="width: 30%;">SCALE</td> <td style="width: 30%;">NO.</td> <td style="width: 40%;">REV.</td> </tr> <tr> <td style="text-align: center;">N.T.S</td> <td style="text-align: center;">3780/322/BD/01J36</td> <td style="text-align: center;">0</td> </tr> <tr> <td>DATE</td> <td colspan="2"></td> </tr> <tr> <td style="text-align: center;">MAY, 2021</td> <td colspan="2"></td> </tr> </table>	SCALE	NO.	REV.	N.T.S	3780/322/BD/01J36	0	DATE			MAY, 2021		
SCALE	NO.	REV.											
N.T.S	3780/322/BD/01J36	0											
DATE													
MAY, 2021													

ARCHITECTURAL DETAILS

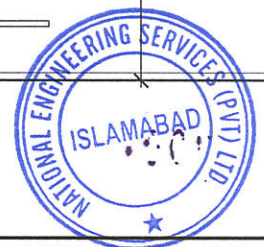


SD1



(SD2)

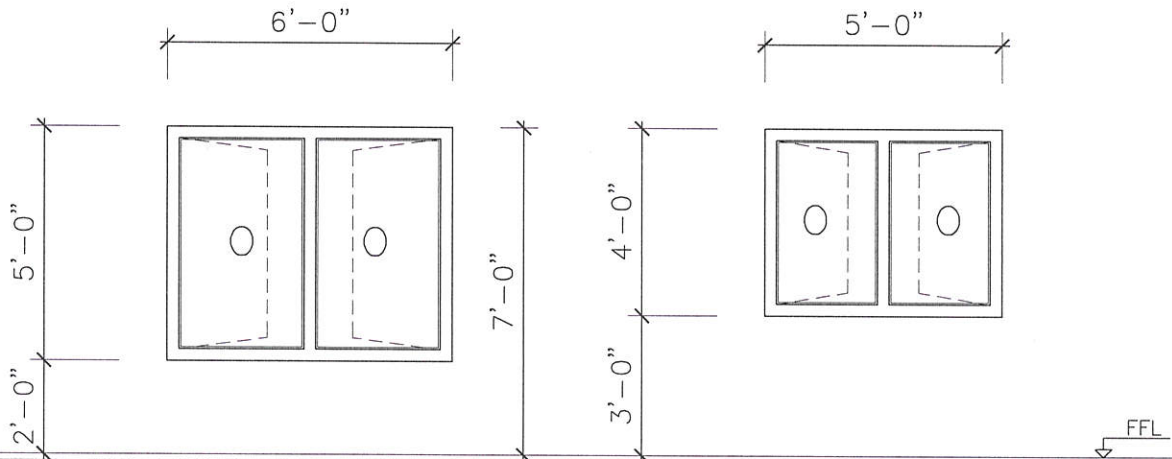
SST



34

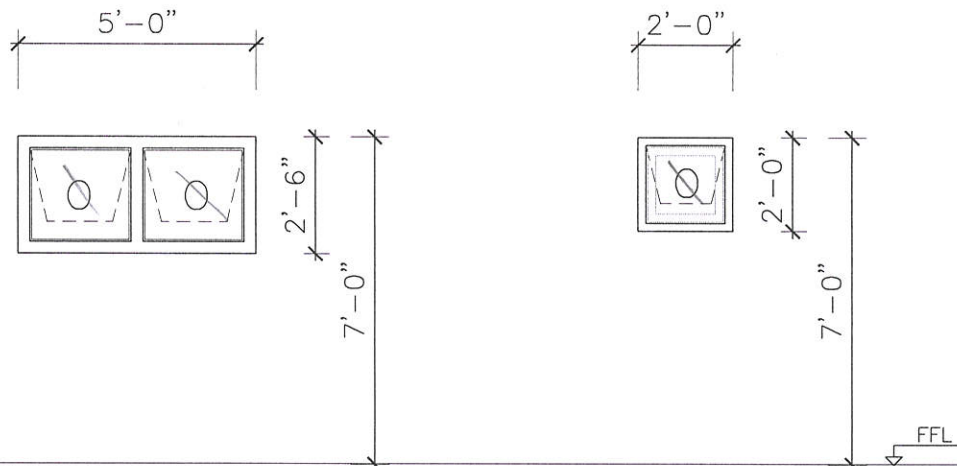
<p>PROJECT STATE BANK OF PAKISTAN NEW OFFICE BUILDING AT DERA ISMAIL KHAN</p>	<p>TITLE DOORS ELEVATION (BUILDING - 6 & 7)</p>
<p>NATIONAL ENGINEERING SERVICES PAKISTAN (PVT.) LTD. ISLAMABAD</p>	<p>SCALE N.T.S NO. 3780/322/BD/01J36 REV. 0 DATE MAY, 2021</p>

ARCHITECTURAL DETAILS



W1

W2



V1

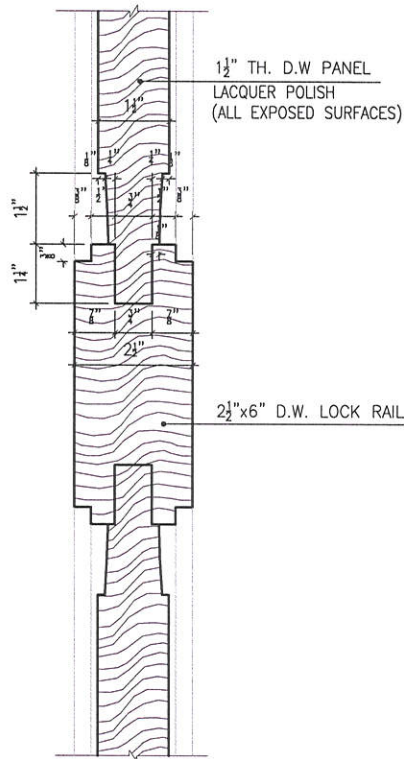
V2

35

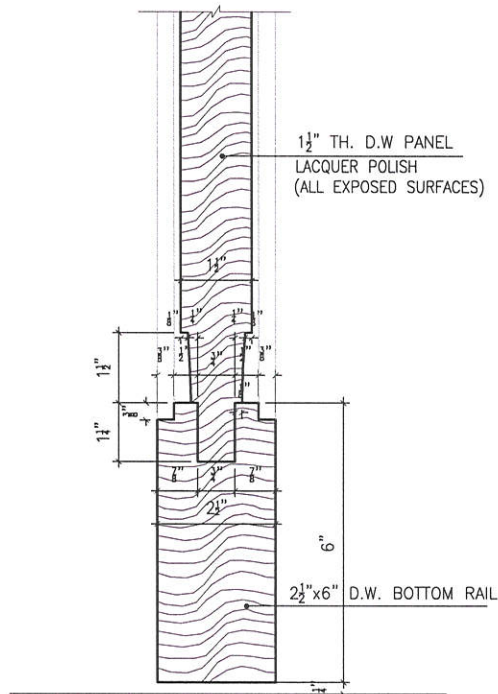


PROJECT <b style="text-align: center;">STATE BANK OF PAKISTAN NEW OFFICE BUILDING AND RERA MAIL KHAN MANAGEMENT DEPARTMENT	TITLE <b style="text-align: center;">WINDOWS & VENTILATORS ELEVATION (BUILDING - 6 & 7)
<b style="text-align: center;">NATIONAL ENGINEERING SERVICES PAKISTAN (PVT.) LTD. ISLAMABAD	SCALE N.T.S. DATE MAY, 2021
NO. 3780/322/BD/01J37	REV. 0

ARCHITECTURAL DETAILS



DETAIL-2



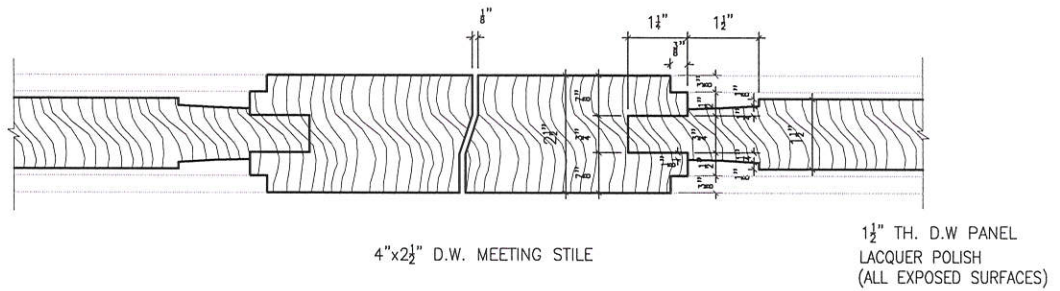
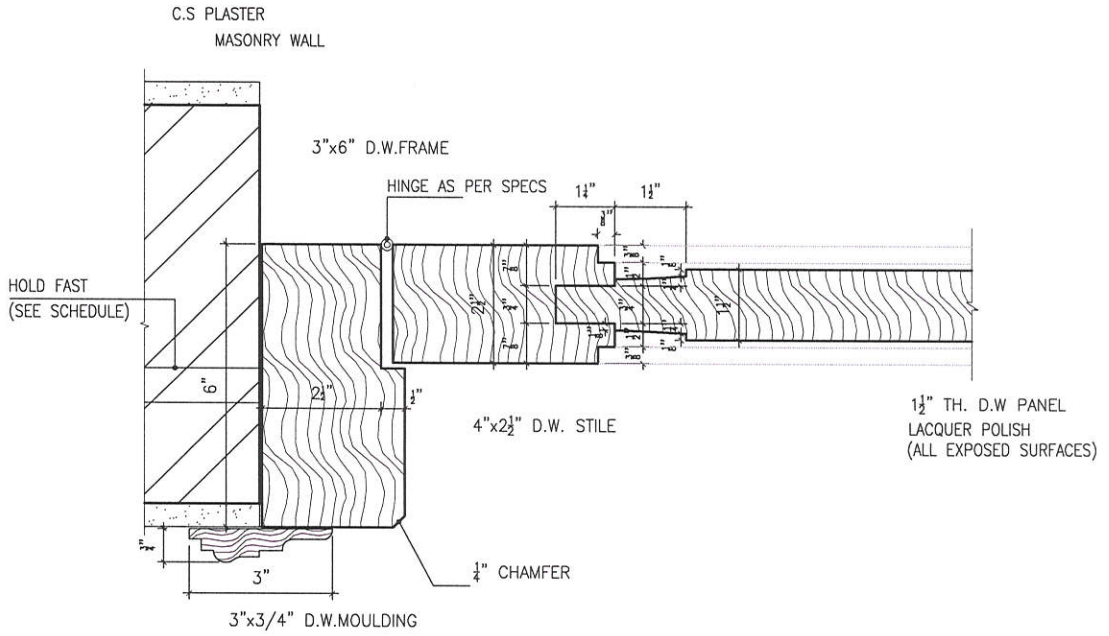
DETAIL-1

36



PROJECT	STATE BANK OF PAKISTAN NEW OFFICE BUILDING AT DERA ISMAIL KHAN PROJECT	TITLE	DETAIL - 1 - 2	
NATIONAL ENGINEERING SERVICES PAKISTAN (PVT.) LTD. ISLAMABAD	MANAGEMENT ENGINEERING DEPARTMENT	SCALE	N.T.S	NO.
		DATE	MAY, 2021	3780/322/BD/01J38
				REV.
				0

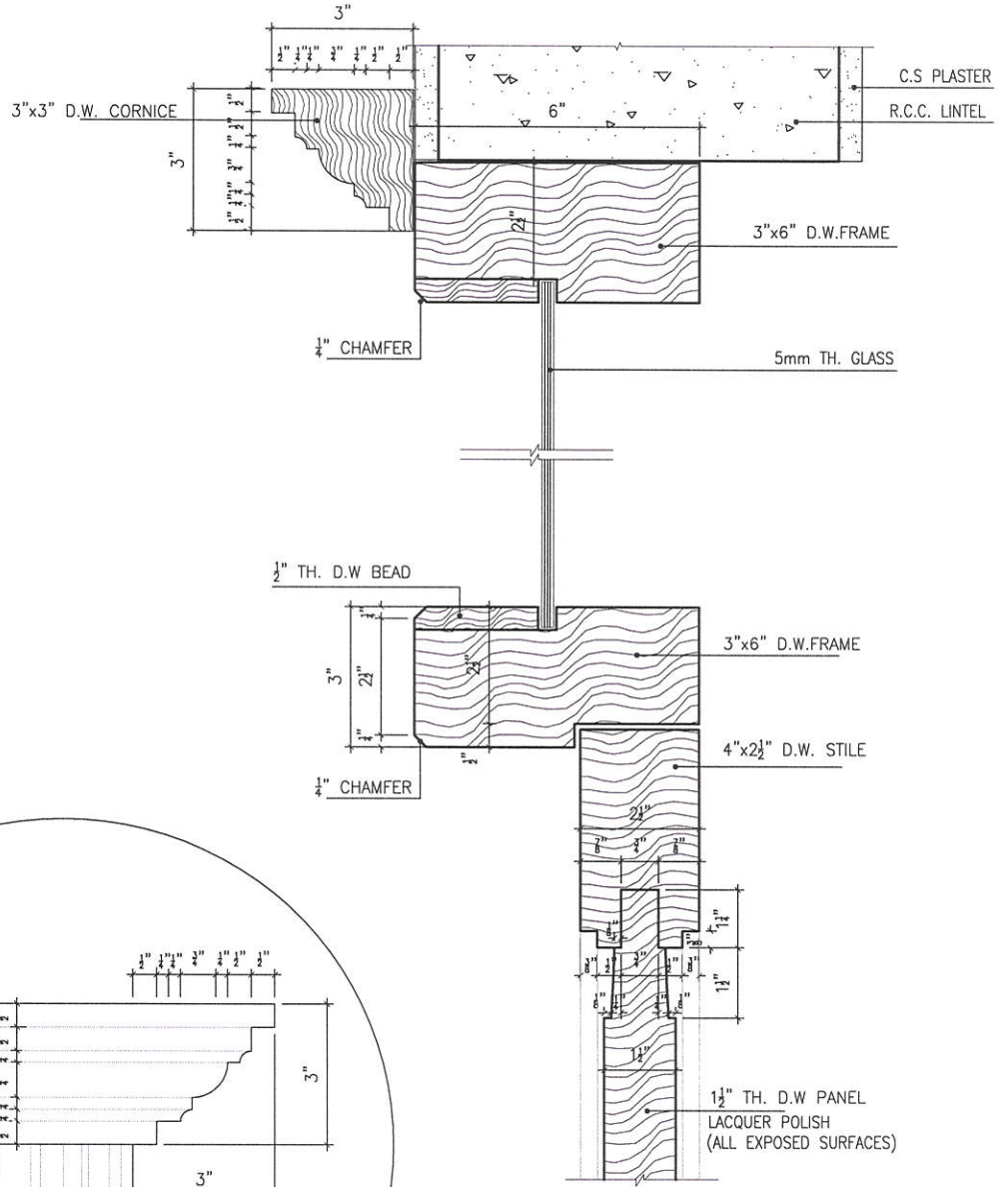
ARCHITECTURAL DETAILS



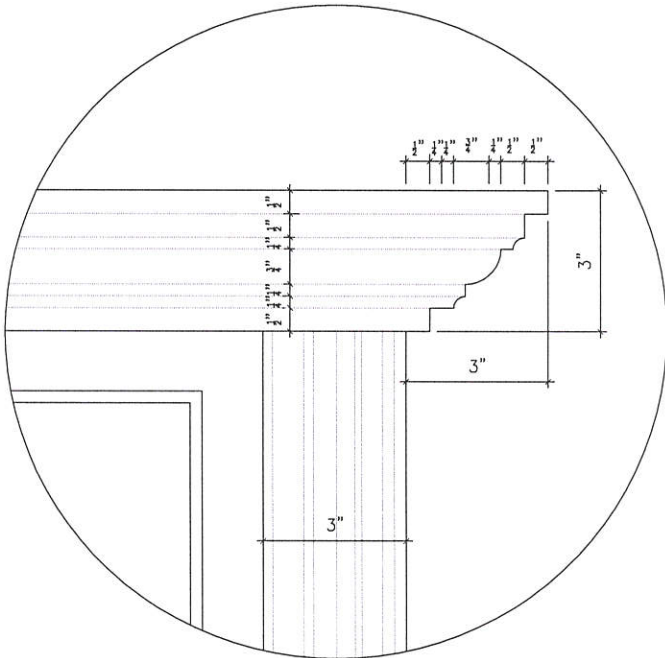
37

PROJECT <b style="text-align: center;">STATE BANK OF PAKISTAN NEW OFFICE BUILDING AT DERAL ISMAIL KHAN PROJECT MANAGEMENT	TITLE DETAIL - 3, 4
NATIONAL ENGINEERING SERVICES PAKISTAN (PVT.) LTD. ISLAMABAD	SCALE N.T.S. DATE MAY, 2021
NO. 3780/322/BD/01J39	REV. 0

ARCHITECTURAL DETAILS



DETAIL - 5



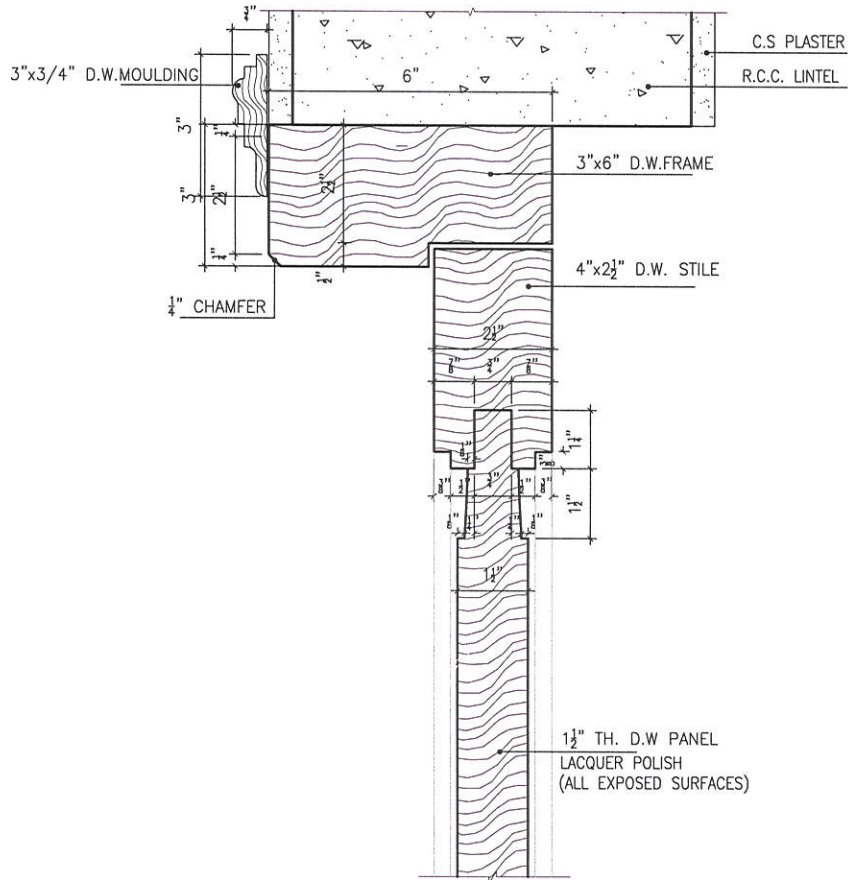
DETAIL OF CORNICE

38



PROJECT	STATE BANK OF PAKISTAN NEW OFFICE BUILDING AT DERAL MAIL KHAN PROJECT MANAGEMENT DEPARTMENT SITE & DESIGN DIVISION	LOCK RAIL DETAIL DETAIL - 5	
NATIONAL ENGINEERING SERVICES PAKISTAN (PVT.) LTD. ISLAMABAD		SCALE	NO.
		N.T.S	3780/322/BD/01J40
		DATE	REV.
		MAY, 2021	0

ARCHITECTURAL DETAILS



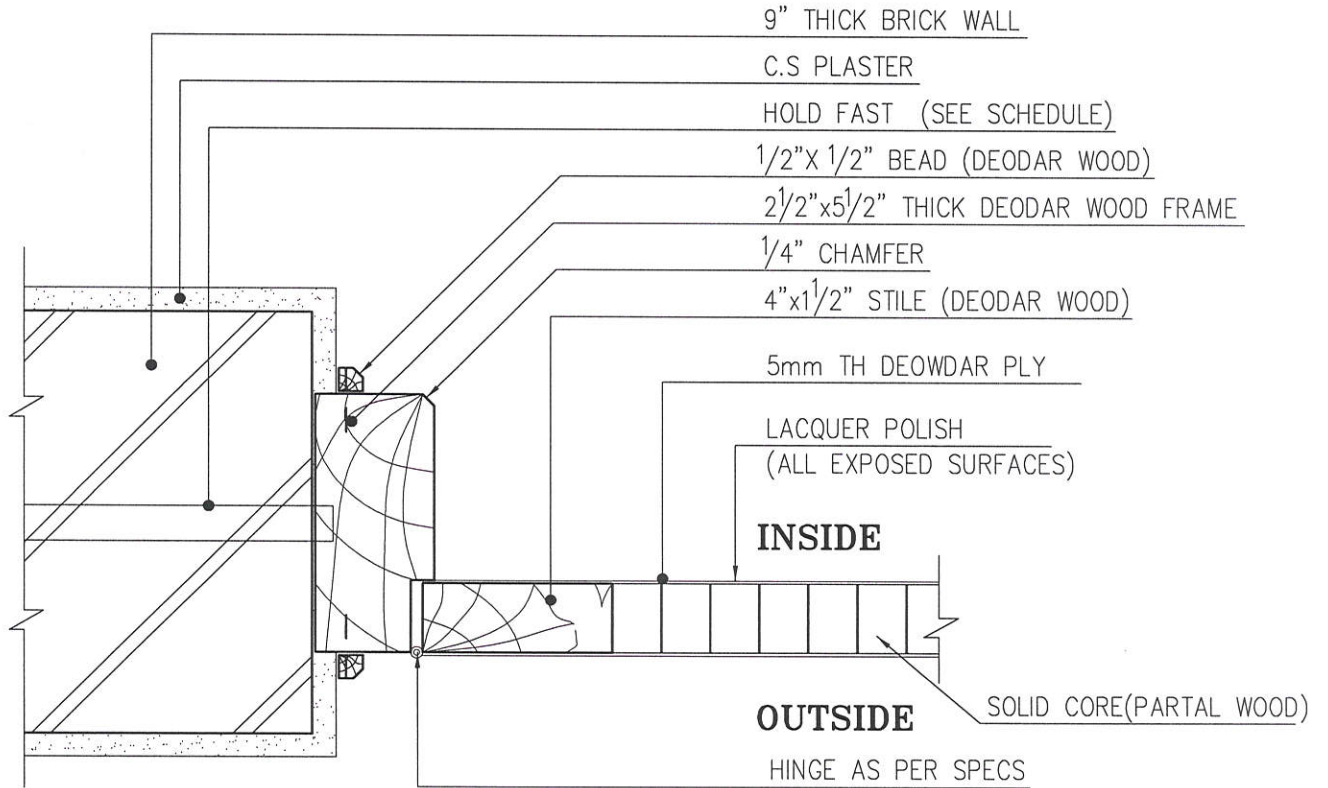
DETAIL - 6

39



<p>PROJECT STATE BANK OF PAKISTAN NEW OFFICE BUILDING AT DERA ISMAIL KHAN PROJECT</p>	<p>TITLE DETAIL - 6</p>		
<p>NATIONAL ENGINEERING SERVICES PAKISTAN (PVT.) LTD. ISLAMABAD</p>	SCALE	NO.	REV.
	N.T.S	3780/322/BD/01J41	0
		DATE	
		MAY, 2021	

ARCHITECTURAL DETAILS



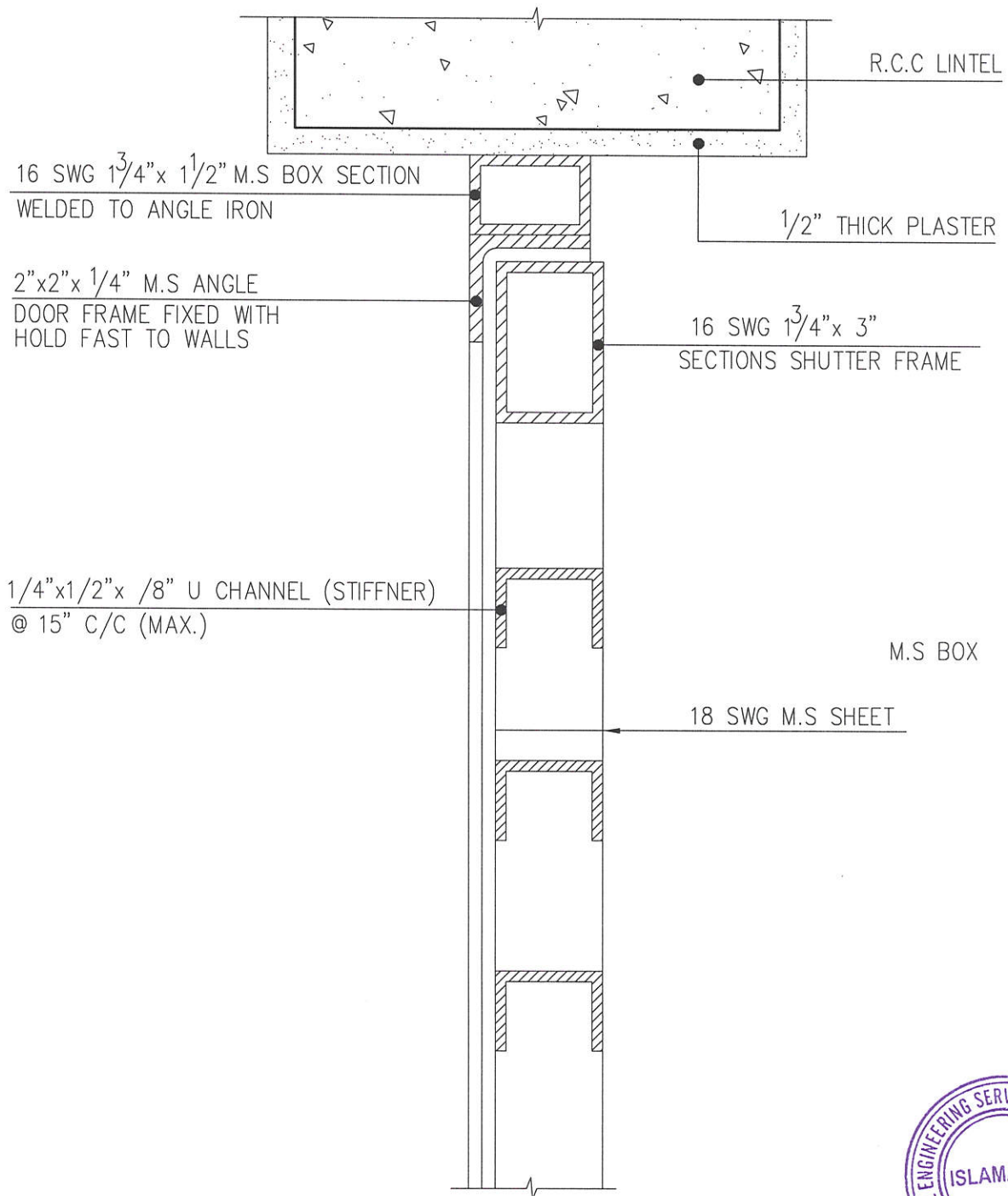
DETAIL-4a



40

PROJECT STATE BANK OF PAKISTAN NEW OFFICE BUILDING AT DERASMAIL KHAN PROJECT MANAGEMENT	TITLE DETAIL - 4a												
NATIONAL ENGINEERING SERVICES PAKISTAN (PVT.) LTD. ISLAMABAD	<table border="1" style="width: 100%; border-collapse: collapse;"> <tr> <td style="width: 30%;">SCALE</td> <td style="width: 40%;">NO.</td> <td style="width: 30%;">REV.</td> </tr> <tr> <td>N.T.S</td> <td>3780/322/BD/01J42</td> <td>0</td> </tr> <tr> <td>DATE</td> <td colspan="2"></td> </tr> <tr> <td>MAY, 2021</td> <td colspan="2"></td> </tr> </table>	SCALE	NO.	REV.	N.T.S	3780/322/BD/01J42	0	DATE			MAY, 2021		
SCALE	NO.	REV.											
N.T.S	3780/322/BD/01J42	0											
DATE													
MAY, 2021													

ARCHITECTURAL DETAILS



DETAIL - 7



NOTE ALL STEEL SECTIONAL MEMBERS SHALL BE WELDED & ALL EXPOSED STEEL SURFACES SHALL BE PAINTED WITH RED OXIDE BEFORE APPLYING ENAMEL PAINT

41

PROJECT	STATE BANK OF PAKISTAN NEW OFFICE BUILDING AT DERA ISMAIL KHAN <small>PROJECT MANAGEMENT</small>	TITLE	DETAIL-7		
NATIONAL ENGINEERING SERVICES PAKISTAN (PVT.) LTD. ISLAMABAD		SCALE	N.T.S	NO.	3780/322/BD/01J43
		DATE	MAY, 2021	REV.	0

ARCHITECTURAL DETAILS

1 3/4" x 1 1/2" x 1/8" U CHANNEL (STIFFNER)
@ 15" C/C (MAX.)

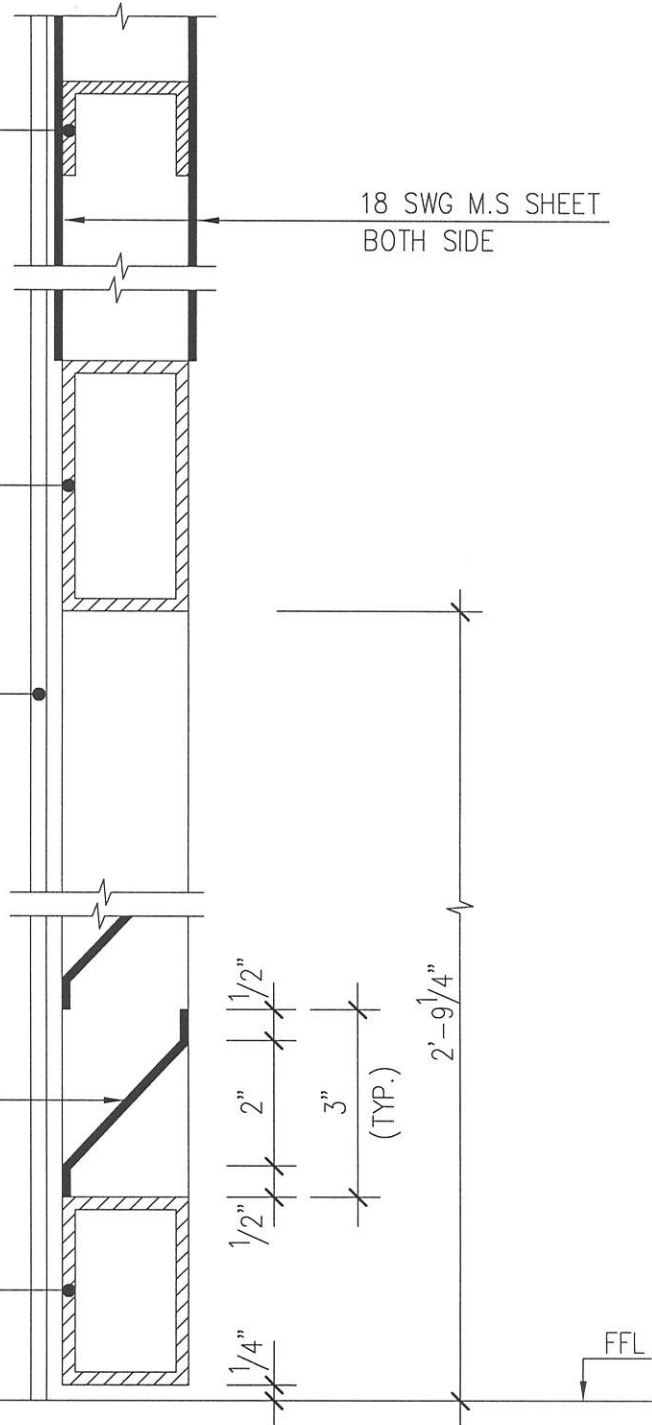
18 SWG M.S SHEET
BOTH SIDE

16 SWG 1 3/4" x 4" M.S BOX SECTION
LOCK RAIL

DOOR FRAME

18 SWG M.S SHEET LOUVER
(TYP.)

16 SWG 1 3/4" x 3" M.S BOX SECTION
SHUTTER FRAME



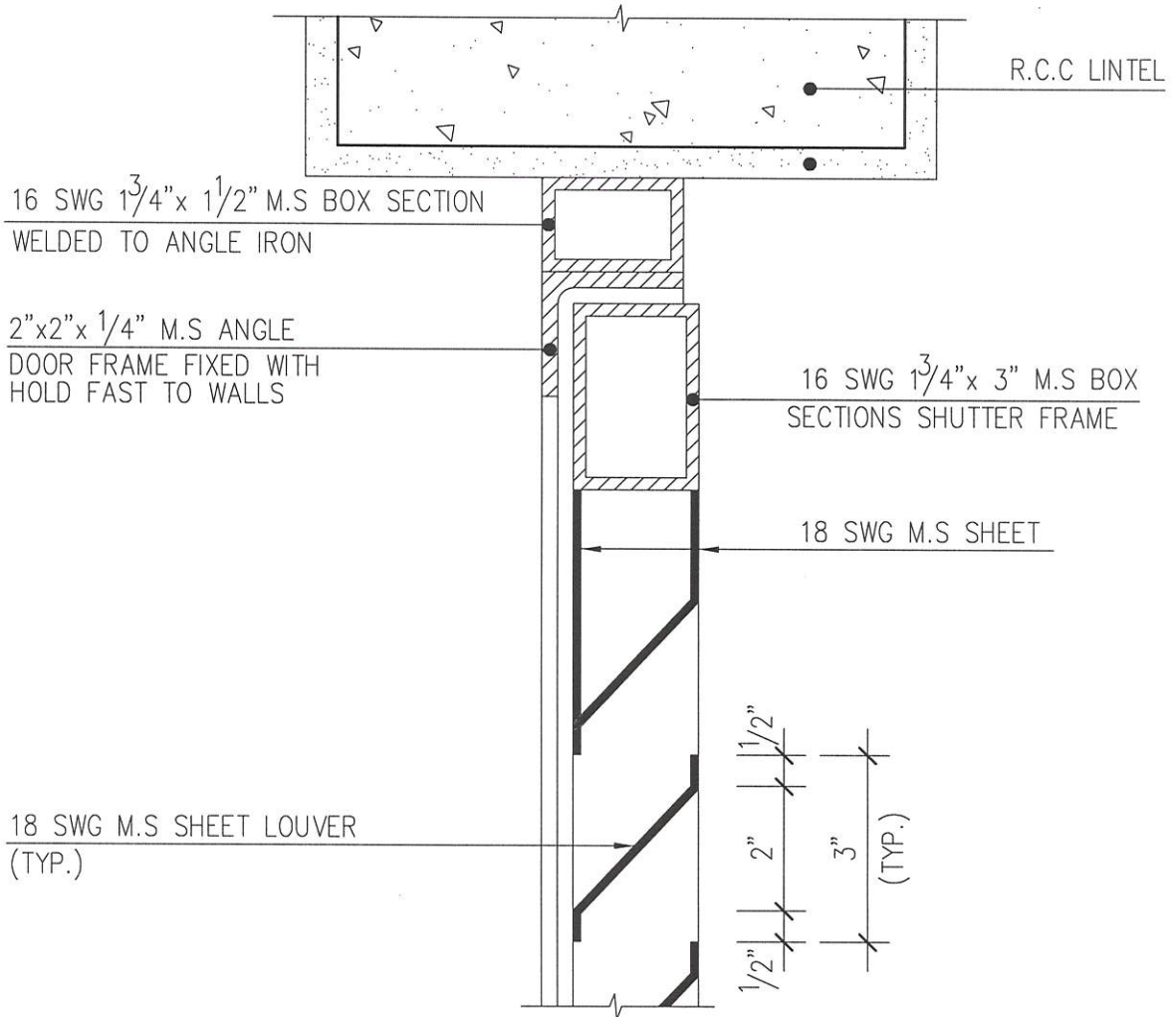
DETAIL-8

NOTE ALL STEEL SECTIONAL MEMBERS SHALL BE WELDED & ALL EXPOSED STEEL SURFACES SHALL BE PAINTED WITH RED OXIDE BEFORE APPLYING ENAMEL PAINT



PROJECT STATE BANK OF PAKISTAN NEW OFFICE BUILDING AT DERA ISMAIL KHAN PROJECT MANAGEMENT	TITLE DETAIL-8
NATIONAL ENGINEERING SERVICES PAKISTAN (PVT.) LTD. ISLAMABAD	SCALE N.T.S. DATE MAY, 2021
NO. 3780/322/BD/01J44	REV. 0

ARCHITECTURAL DETAILS



DETAIL - 9



NOTE ALL STEEL SECTIONAL MEMBERS SHALL BE WELDED & ALL EXPOSED STEEL SURFACES SHALL BE PAINTED WITH RED OXIDE BEFORE APPLYING ENAMEL PAINT

43

PROJECT	STATE BANK OF PAKISTAN NEW OFFICE BUILDING AT DERA ISMAIL KHAN PROJECT MANAGEMENT	TITLE	DETAIL-9	
NATIONAL ENGINEERING SERVICES PAKISTAN (PVT.) LTD. ISLAMABAD		SCALE	NO.	REV.
		N.T.S	3780/322/BD/01J45	0
		DATE	MAY, 2021	

ARCHITECTURAL DETAILS

1 3/4" x 1 1/2" x 1/8" U CHANNEL (STIFFNER)
@ 15" C/C (MAX.)

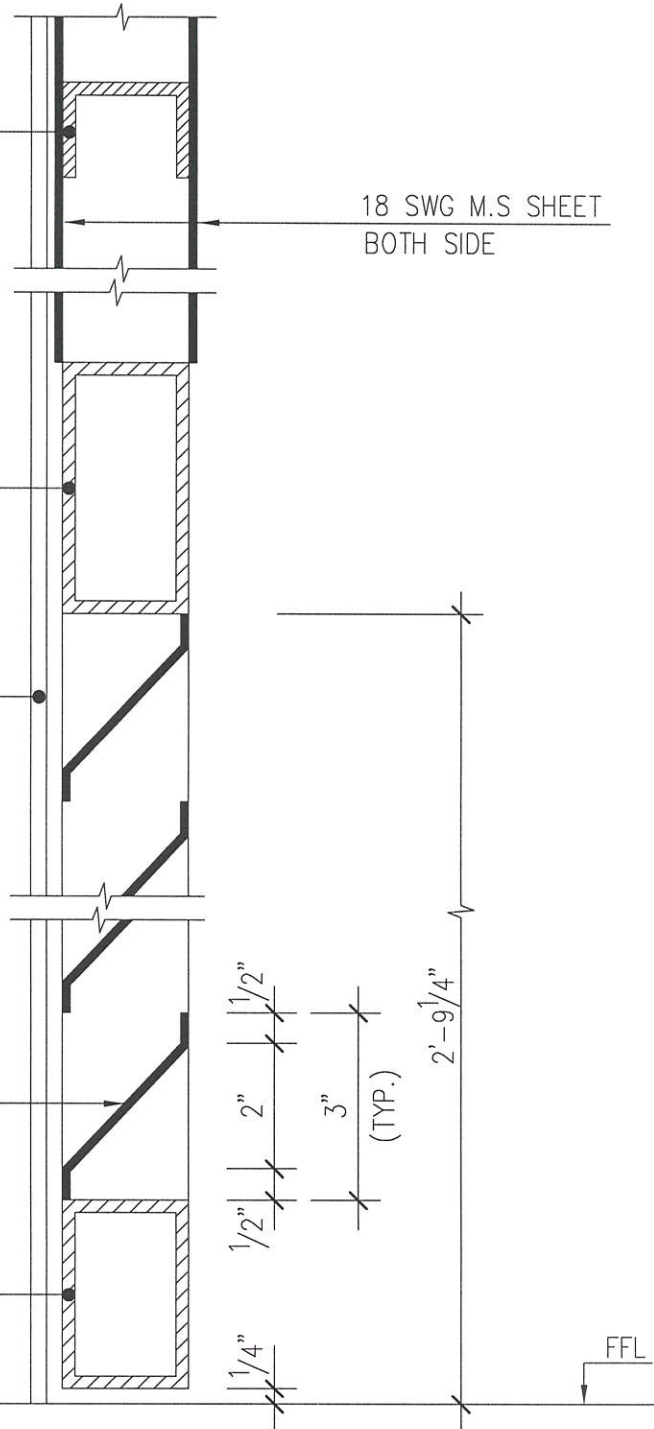
18 SWG M.S SHEET
BOTH SIDE

16 SWG 1 3/4" x 4" M.S BOX SECTION
LOCK RAIL

DOOR FRAME

18 SWG M.S SHEET LOUVER
(TYP.)

16 SWG 1 3/4" x 3" M.S BOX SECTION
SHUTTER FRAME



DETAIL-10

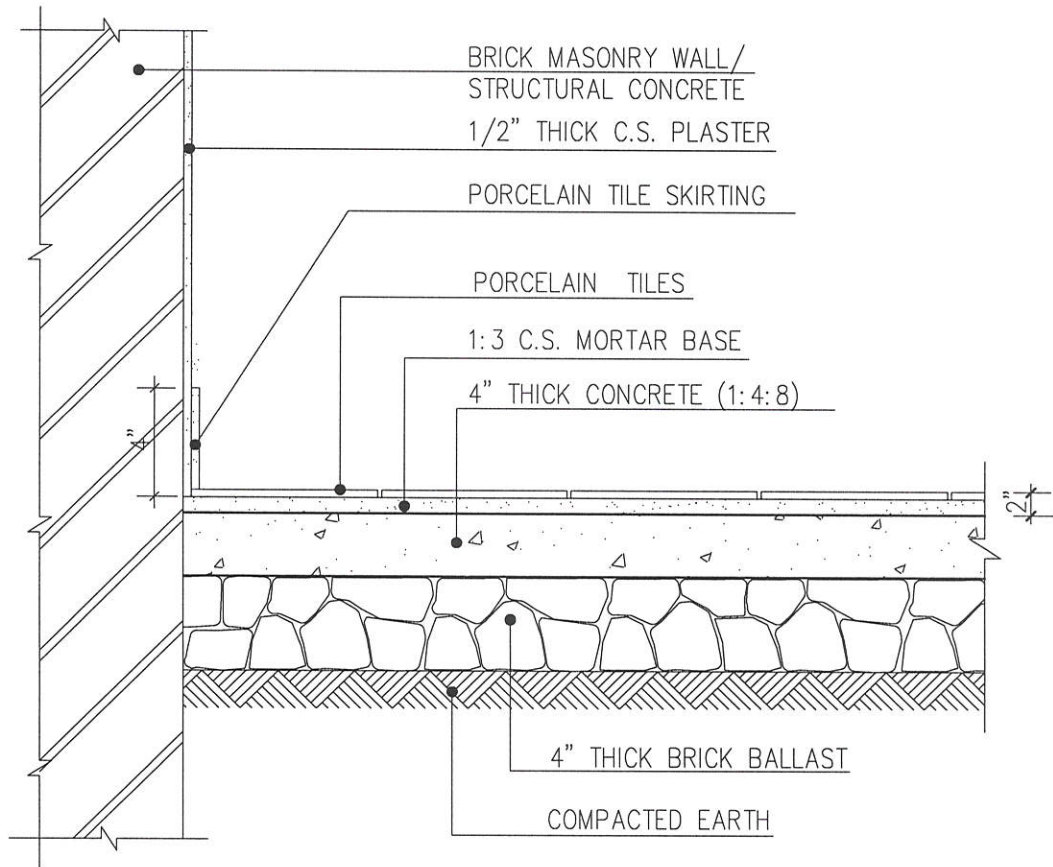
NOTE ALL STEEL SECTIONAL MEMBERS SHALL BE WELDED & ALL EXPOSED STEEL SURFACES SHALL BE PAINTED WITH RED OXIDE BEFORE APPLYING ENAMEL PAINT



44

PROJECT	STATE BANK OF PAKISTAN NEW OFFICE BUILDING AT DERA ISMAIL KHAN	TITLE	DETAIL-10	
NATIONAL ENGINEERING SERVICES PAKISTAN (PVT.) LTD. ISLAMABAD	MANAGEMENT	SCALE	N.O.	REV.
	PROJECT	N.T.S	3780/322/BD/01J46	0
		DATE	MAY, 2021	

ARCHITECTURAL DETAILS



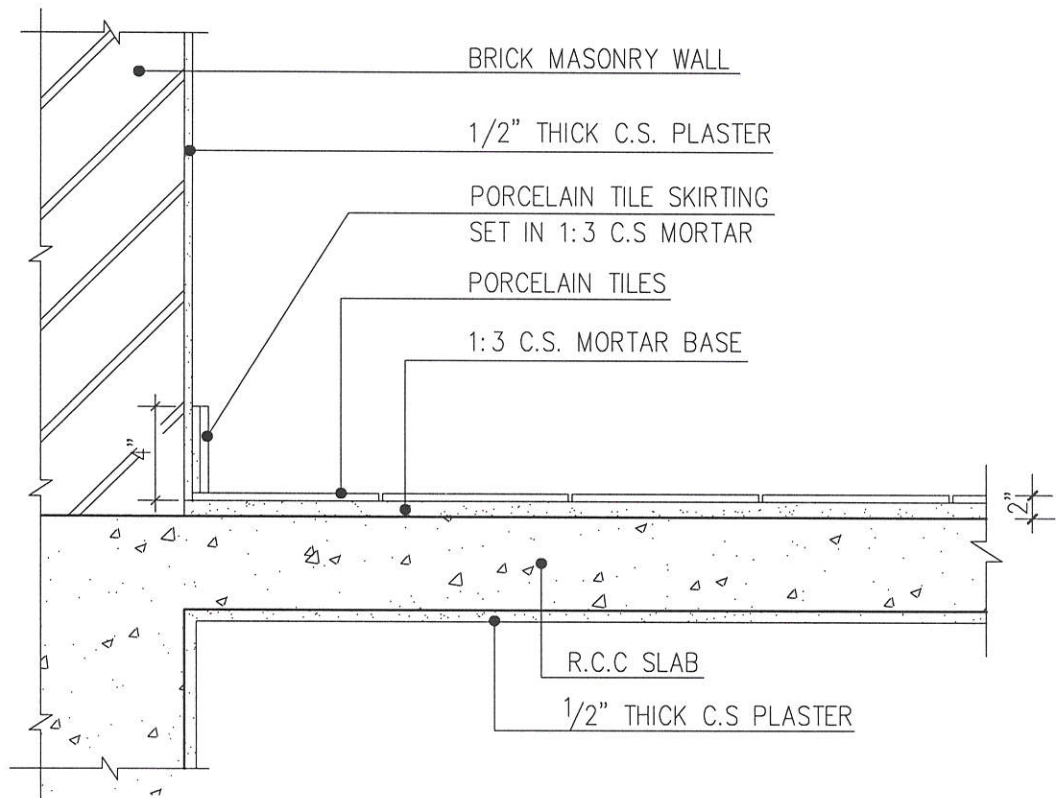
PROCELAIN TILES DETAIL



45

PROJECT	STATE BANK OF PAKISTAN NEW OFFICE BUILDING AT DERA ISMAIL KHAN PROJECT	TITLE	PROCELAIN TILES FLOORING/ SKIRTING(GROUND FLOOR)		
NATIONAL ENGINEERING SERVICES PAKISTAN (PVT.) LTD. ISLAMABAD	MANAGEMENT DEPARTMENT	SCALE	N.T.S	NO.	3780/322/BD/01J47
		DATE	MAY, 2021	REV.	0

ARCHITECTURAL DETAILS



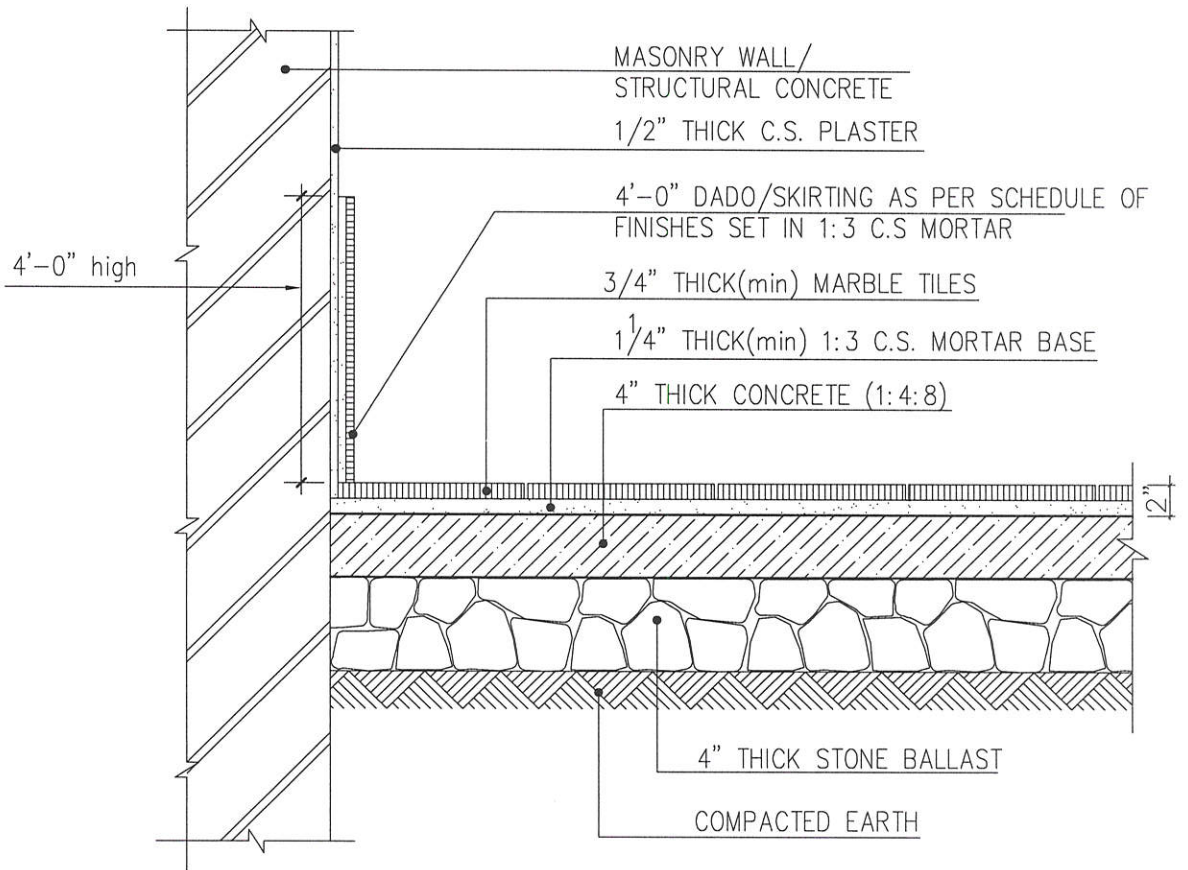
PROCELAIN TILES DETAIL
(FOR FIRST FLOOR & ABOVE)



46

PROJECT STATE BANK OF PAKISTAN NEW OFFICE BUILDING AT DERA ISMAIL KHAN PROJECT MANAGEMENT	TITLE PROCELAIN TILES FLOORING/ SKIRTING (FIRST FLOOR & ABOVE)
NATIONAL ENGINEERING SERVICES PAKISTAN (PVT.) LTD. ISLAMABAD	SCALE N.T.S. DATE MAY, 2021
NO. 3780/322/BD/01J48	
REV. 0	

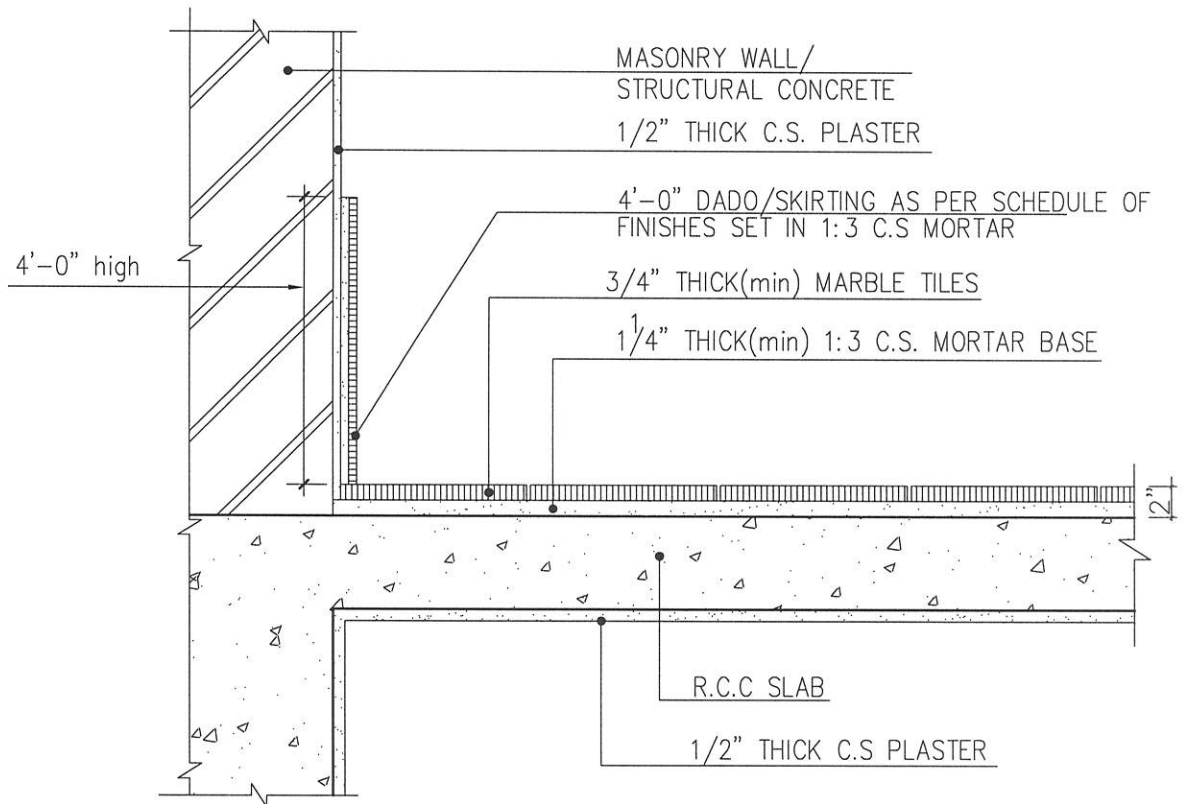
ARCHITECTURAL DETAILS



47

PROJECT	STATE BANK OF PAKISTAN NEW OFFICE BUILDING AT DERA ISMAIL KHAN <small>PROJECT MANAGEMENT</small>	TITLE	MARBLE TILE FLOORING/DADO SKIRTING (GROUND FLOOR)	
NATIONAL ENGINEERING SERVICES PAKISTAN (PVT.) LTD. ISLAMABAD	SCALE	N.T.S	NO.	3780/322/BD/01J49
	DATE	MAY, 2021	REV.	0

ARCHITECTURAL DETAILS



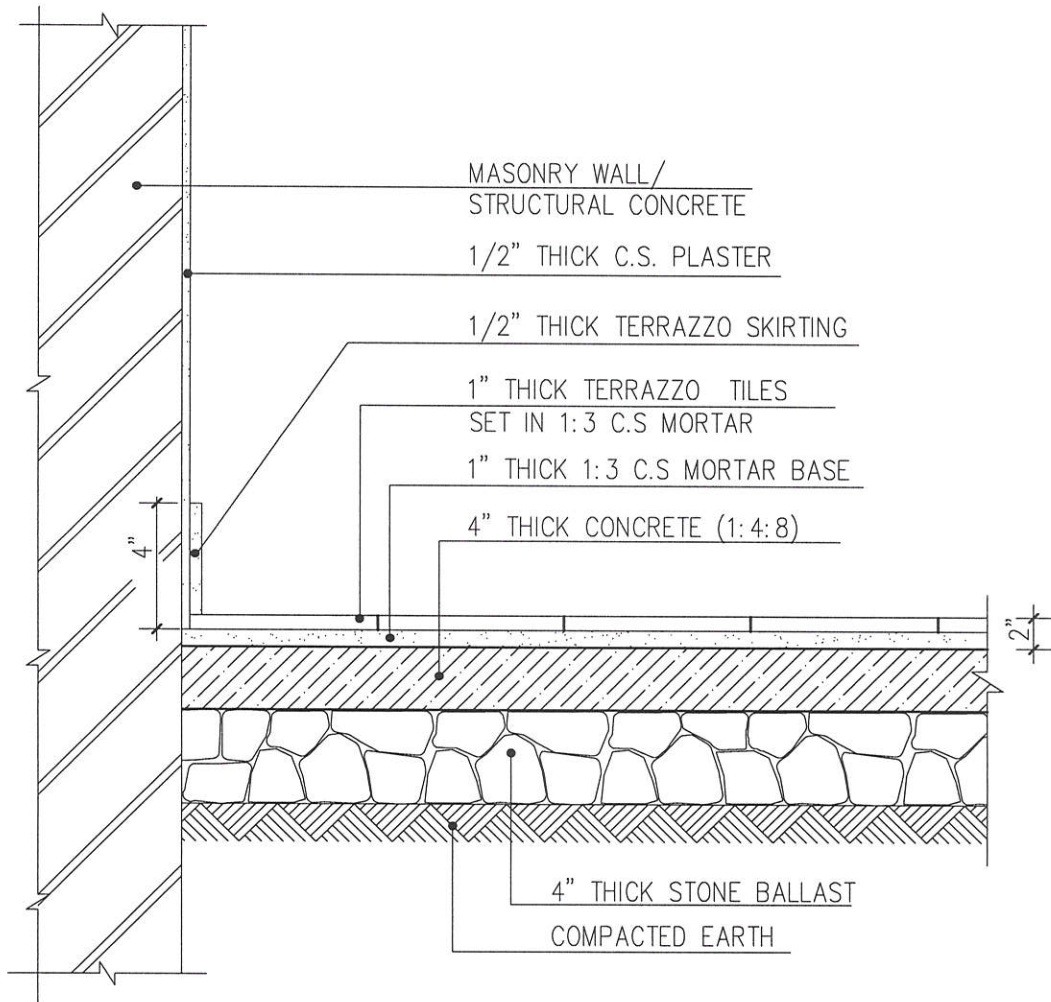
GRANITE/ MARBLE FLOORING DETAIL
(FOR FIRST FLOOR & ABOVE)

48



PROJECT	STATE BANK OF PAKISTAN NEW OFFICE BUILDING AT DERA ISMAIL KHAN	TITLE	MARBLE TILE FLOORING/DADO SKIRTING (FIRST FLOOR & ABOVE)		
NATIONAL ENGINEERING SERVICES PAKISTAN (PVT.) LTD. ISLAMABAD	MANAGEMENT DIVISION DEPARTMENT OF ARCHITECTURE	SCALE	N.T.S	NO.	3780/322/BD/01J50
		DATE	MAY, 2021	REV.	0

ARCHITECTURAL DETAILS



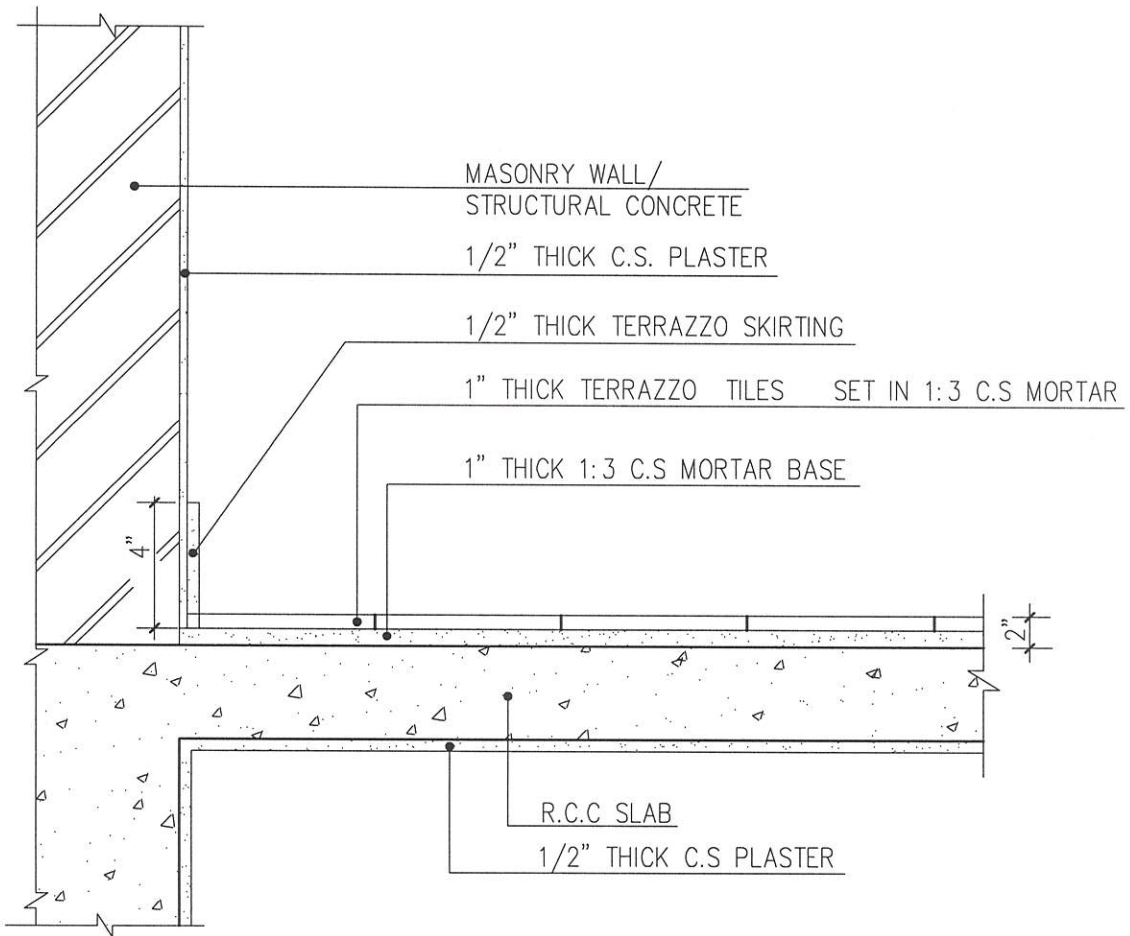
TERRAZZO TILES FLOORING DETAIL



49

PROJECT	STATE BANK OF PAKISTAN NEW OFFICE BUILDING AT DERA ISMAIL KHAN PROJECT MANAGEMENT	TITLE	TERRAZZO FLOORING/SKIRTING (GROUND FLOOR)		
NATIONAL ENGINEERING SERVICES PAKISTAN (PVT.) LTD. ISLAMABAD		SCALE	N.T.S	NO.	3780/322/BD/01J51
	DATE	MAY, 2021	REV.	0	

ARCHITECTURAL DETAILS



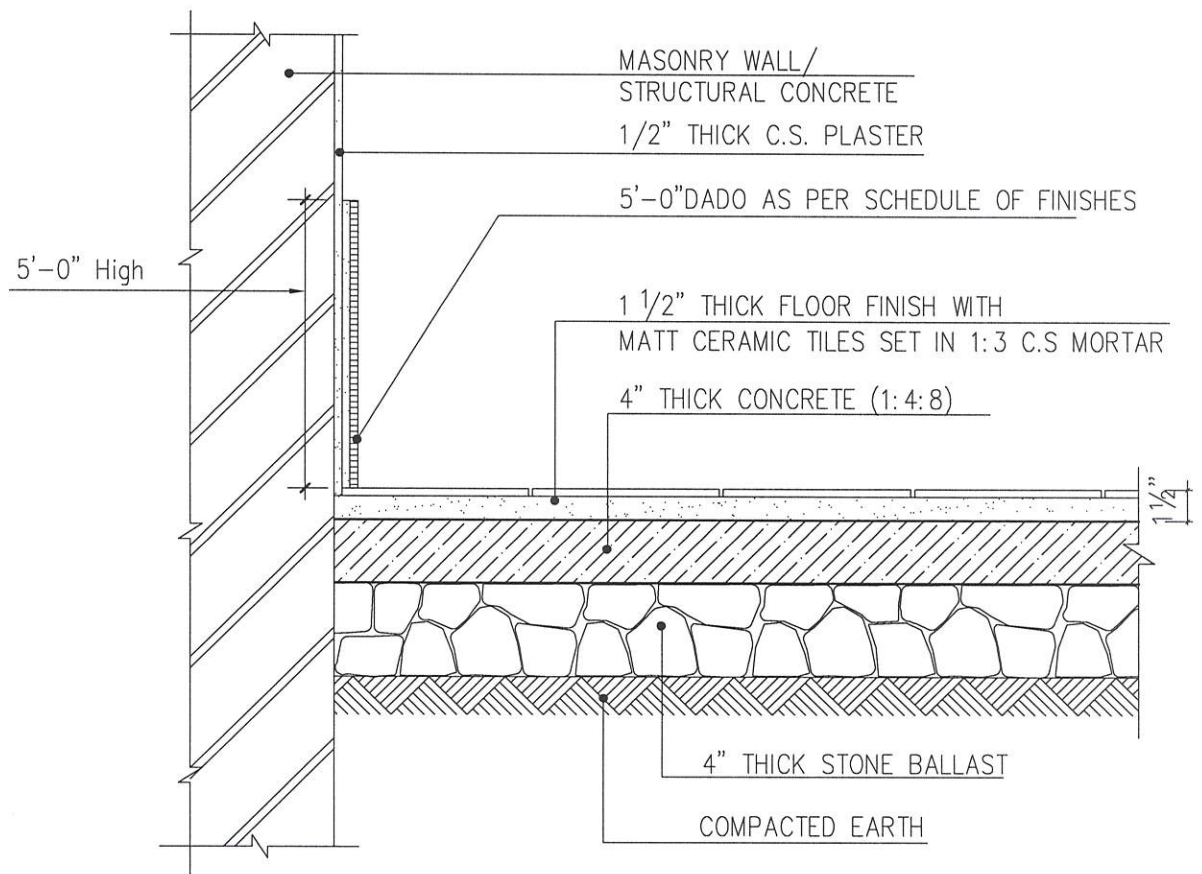
TERRAZZO TILES FLOORING DETAIL
(FOR FIRST FLOOR & ABOVE)



50

PROJECT	STATE BANK OF PAKISTAN NEW OFFICE BUILDING AT DERA ISMAIL KHAN <small>PROJECT MANAGEMENT</small>	TITLE	TERRAZZO FLOORING/SKIRTING	
NATIONAL ENGINEERING SERVICES PAKISTAN (PVT.) LTD. ISLAMABAD	SCALE	N.T.S	NO.	3780/322/BD/01J52
	DATE	MAY, 2021		REV.

ARCHITECTURAL DETAILS



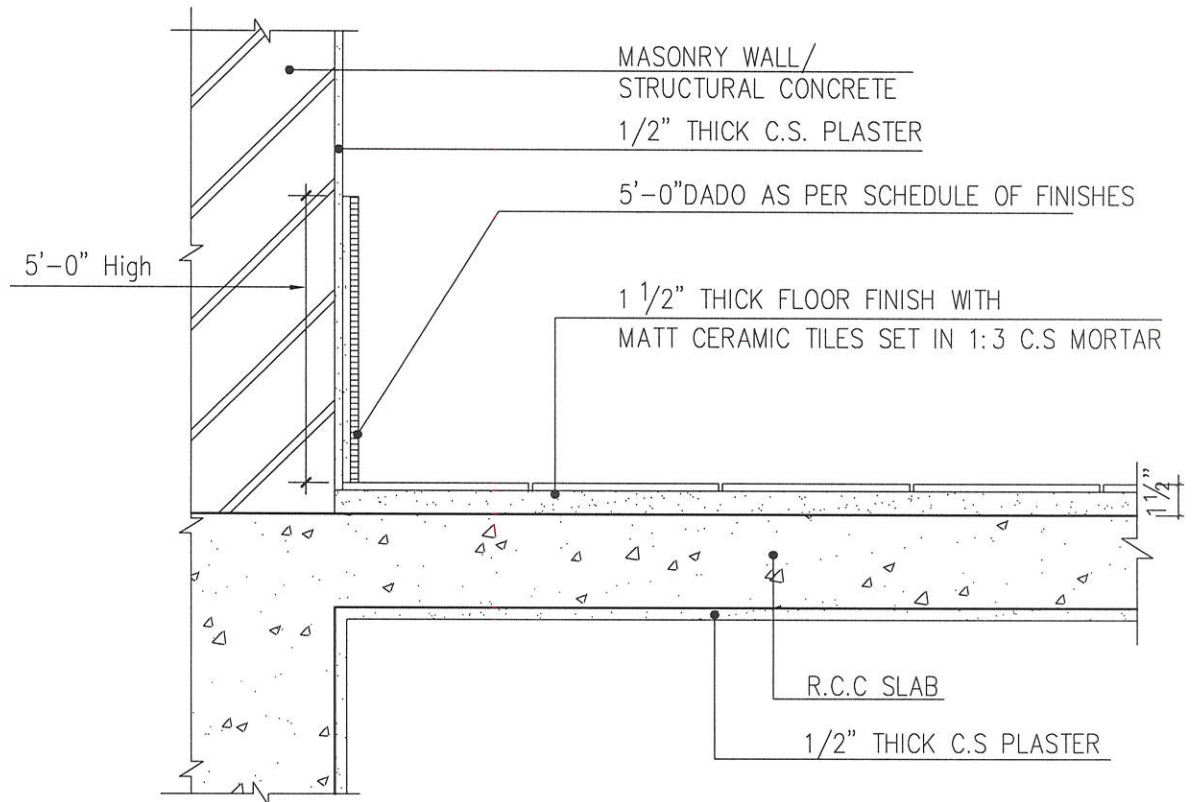
CERAMIC FLOORING DETAIL



51

PROJECT STATE BANK OF PAKISTAN NEW OFFICE BUILDING AT DERA ISMAIL KHAN PROJECT MANAGEMENT NATIONAL ENGINEERING SERVICES PAKISTAN (PVT.) LTD. ISLAMABAD	TITLE CERAMIC TILE FLOORING/DADO SKIRTING (GROUND FLOOR)
SCALE N.T.S.	NO. 3780/322/BD/01J53
DATE MAY, 2021	REV. 0

ARCHITECTURAL DETAILS



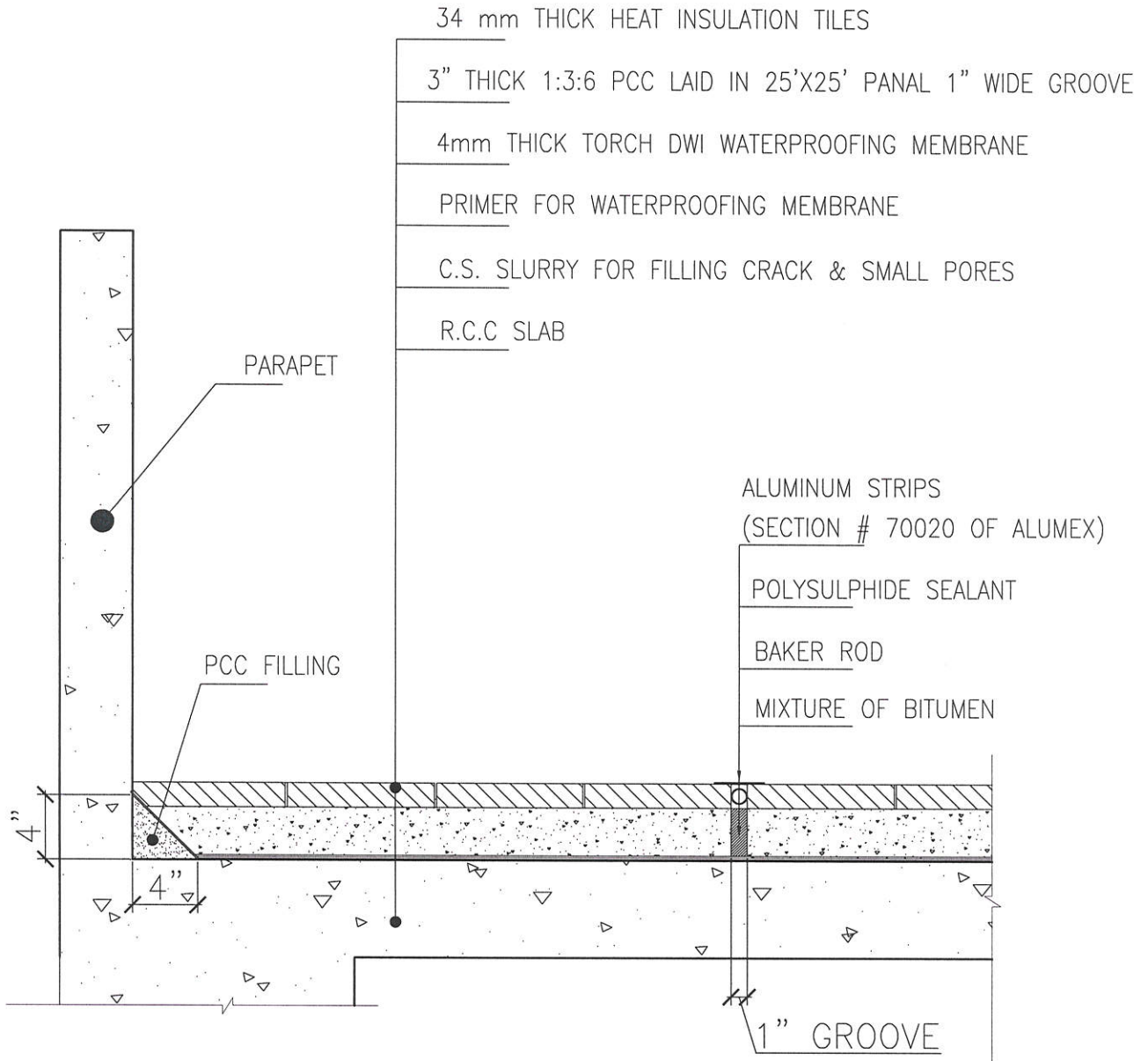
CERAMIC FLOORING DETAIL
(FOR FIRST FLOOR & ABOVE)

52



PROJECT	STATE BANK OF PAKISTAN NEW OFFICE BUILDING AT DERA ISMAIL KHAN	TITLE CERAMIC TILE FLOORING/DADO SKIRTING (FIRST FLOOR & ABOVE)
NATIONAL ENGINEERING SERVICES PAKISTAN (PVT.) LTD. ISLAMABAD		SCALE N.T.S. DATE MAY, 2021
		NO. 3780/322/BD/01J54 REV. 0

ARCHITECTURAL DETAILS



ROOF FINISH DETAIL

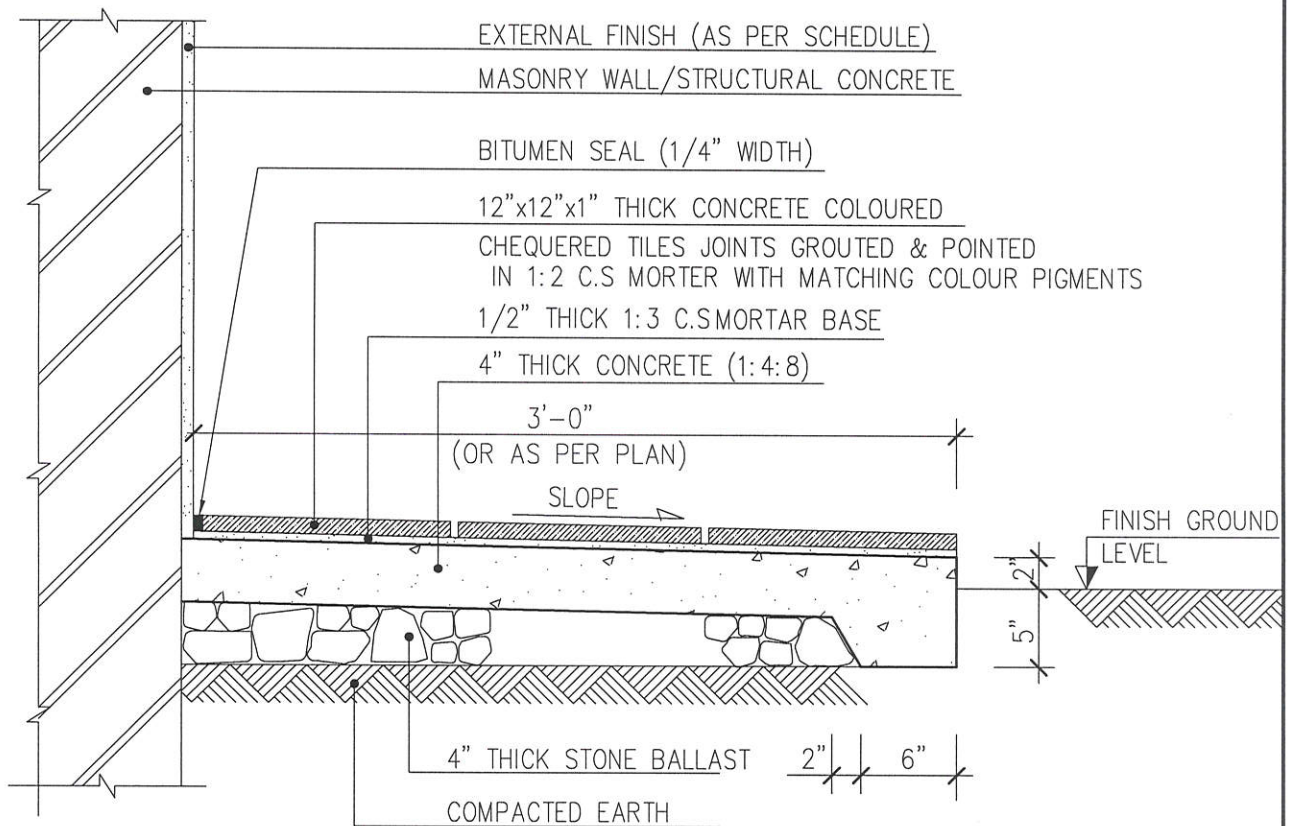
FOR ALL ROOFS & ACCESSIBLE TERRACES



53

PROJECT	STATE BANK OF PAKISTAN NEW OFFICE BUILDING AT DERA ISMAIL KHAN <small>PROJECT MANAGEMENT</small>	TITLE	ROOF FINISH DETAIL-A WATER PROOFING & INSULATION	
NATIONAL ENGINEERING SERVICES PAKISTAN (PVT.) LTD. ISLAMABAD	SCALE	N.T.S	NO.	3780/322/BD/01J55
	DATE	MAY, 2021	REV.	0

ARCHITECTURAL DETAILS



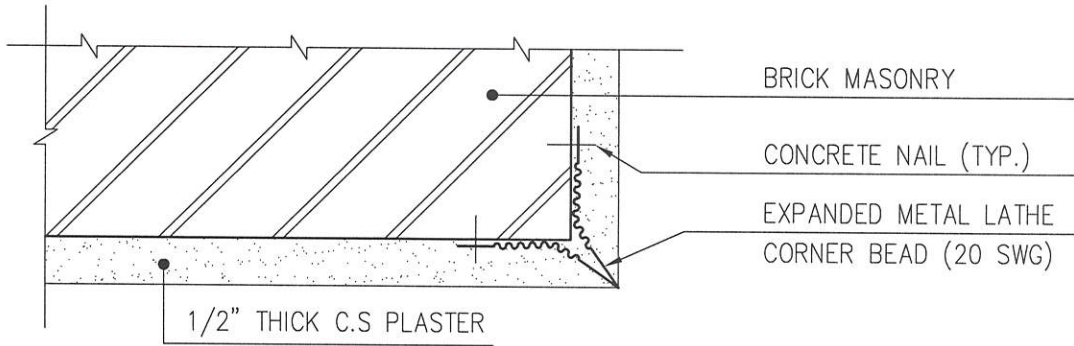
PLINTH PROTECTION DETAIL

54

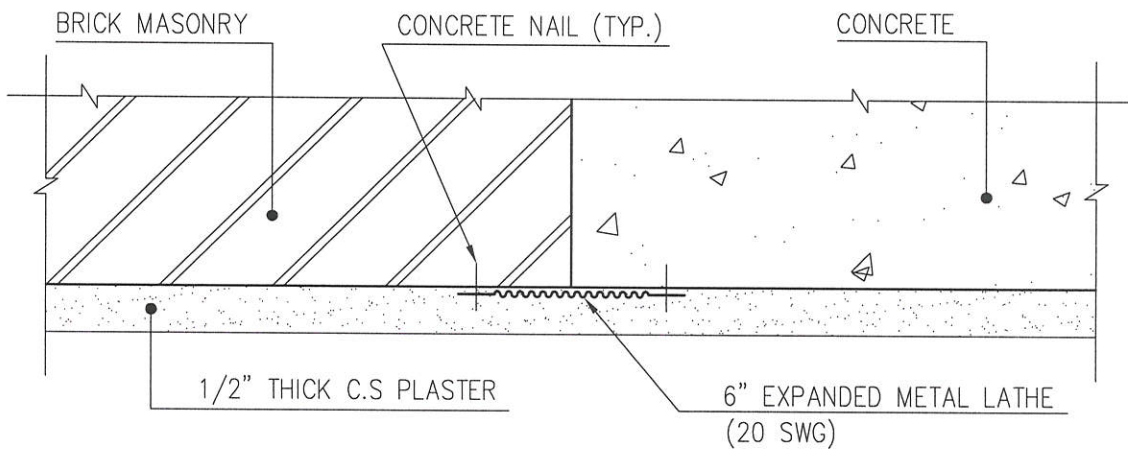


PROJECT	STATE BANK OF PAKISTAN NEW OFFICE BUILDING AT DERA ISMAIL KHAN	TITLE	DETAIL OF PLINTH PROTECTION	
NATIONAL ENGINEERING SERVICES PAKISTAN (PVT.) LTD. ISLAMABAD	MANAGEMENT	SCALE	NO.	REV.
		N.T.S.	3780/322/BD/01J56	0
		DATE	MAY, 2021	

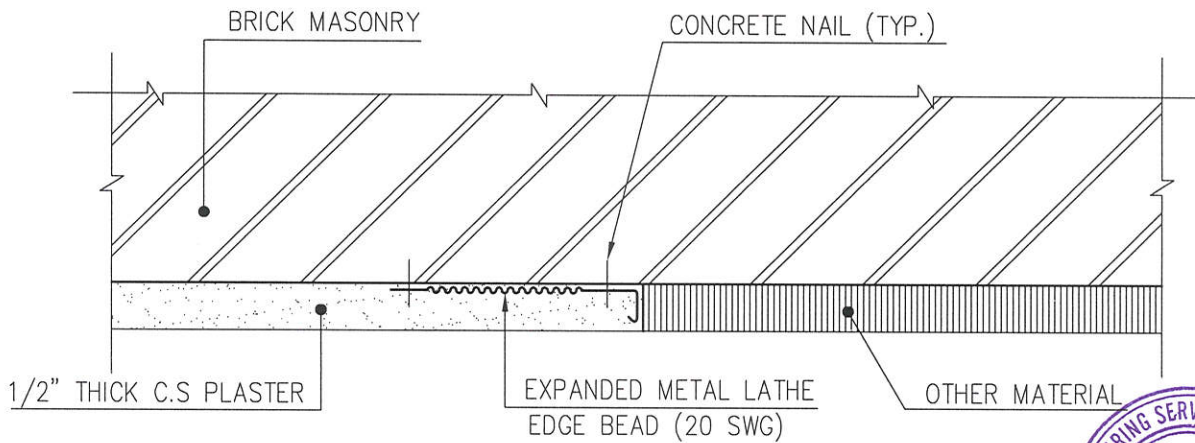
ARCHITECTURAL DETAILS



CORNER BEAD DETAIL



CONCRETE & MASONARY JOINT DETAIL



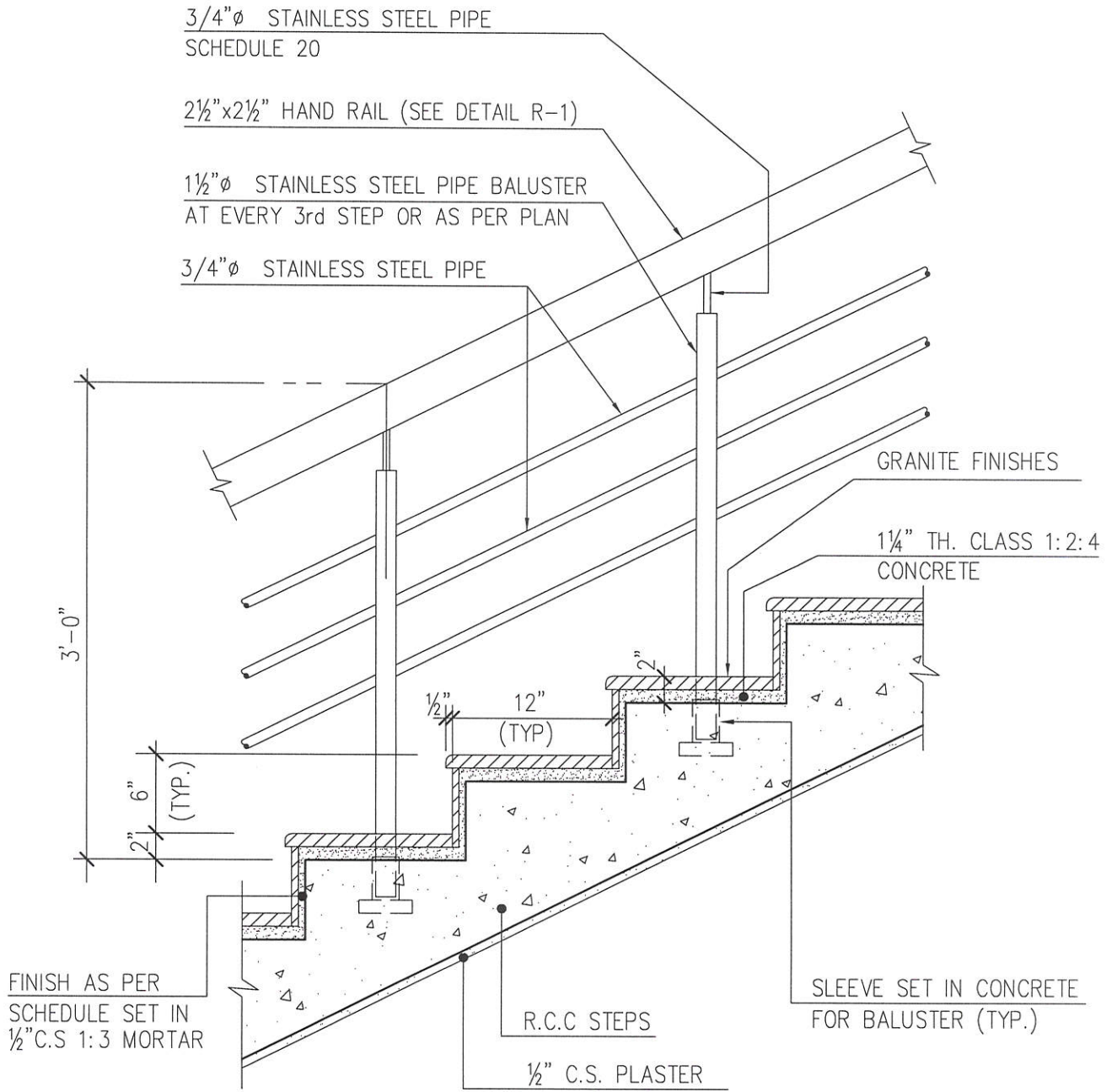
PLASTER EDGE BEAD DETAIL



55

PROJECT	STATE BANK OF PAKISTAN NEW OFFICE BUILDING AT DERA ISMAIL KHAN PROJECT	TITLE	PLASTER BEADS		
NATIONAL ENGINEERING SERVICES PAKISTAN (PVT.) LTD. ISLAMABAD		SCALE	N.T.S	NO.	REV. 0
		DATE	MAY, 2021	3780/322/BD/01J57	

ARCHITECTURAL DETAILS



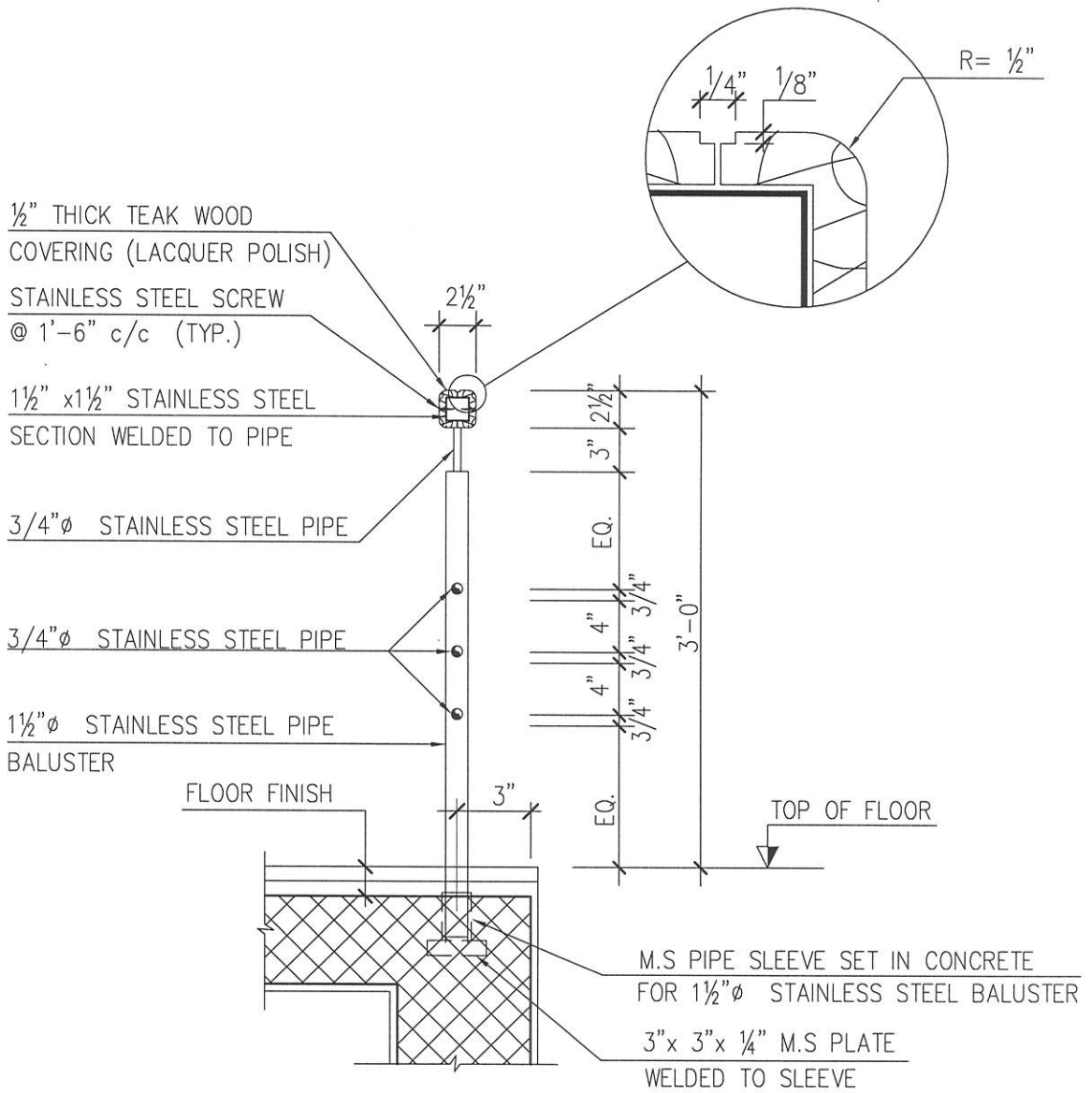
SECTION (R-2)



56

PROJECT	STATE BANK OF PAKISTAN NEW OFFICE BUILDING AT DERA ISMAIL KHAN	TITLE	STAIR DETAIL WITH R-2	
NATIONAL ENGINEERING SERVICES PAKISTAN (PVT.) LTD. ISLAMABAD	MANAGEMENT DIVISION DEPARTMENT OF ARCHITECTURE	SCALE	NO.	REV.
		N.T.S	3780/322/BD/01J58	0
		DATE	MAY, 2021	

ARCHITECTURAL DETAILS



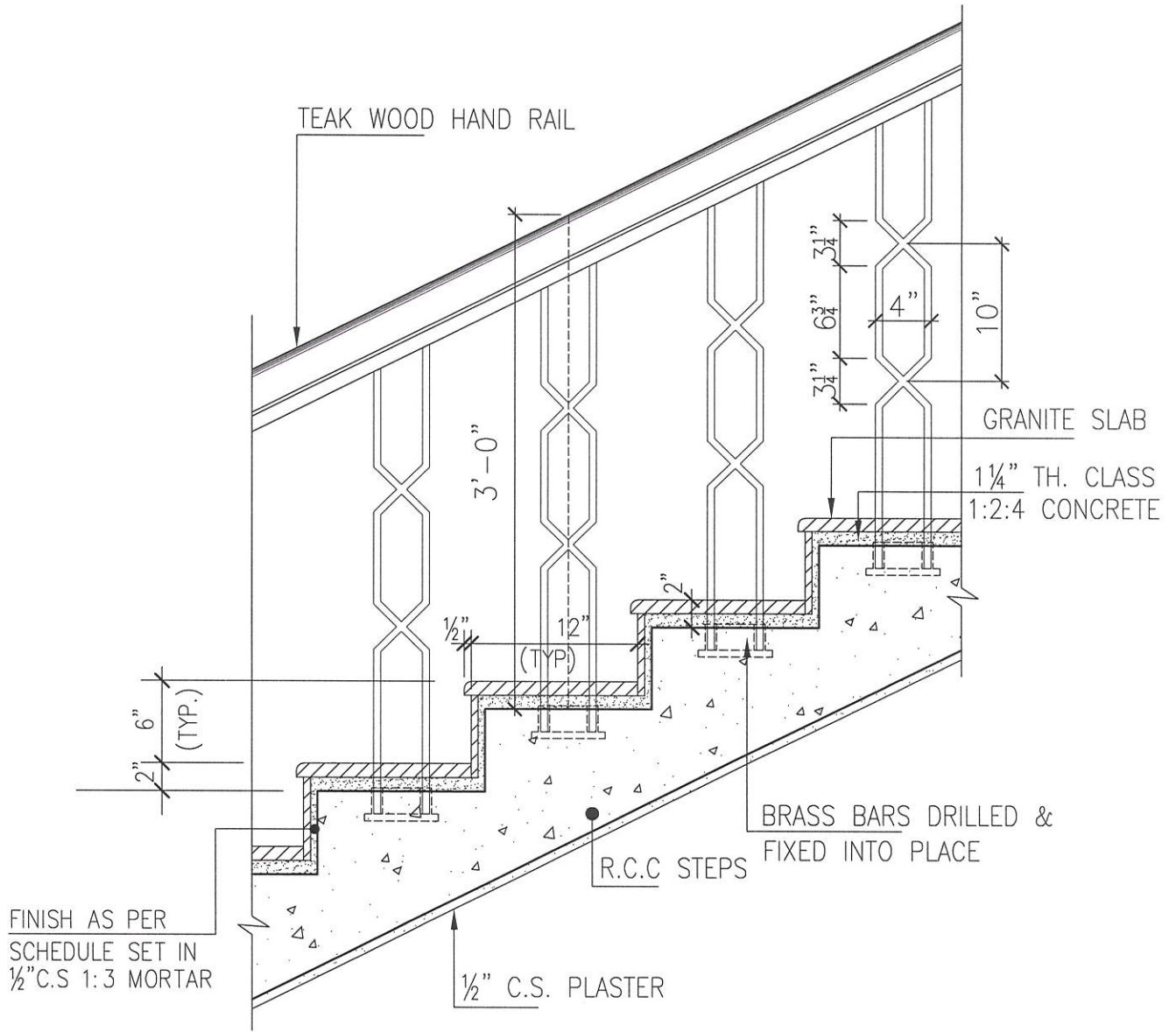
SECTION (R-2)

57



PROJECT STATE BANK OF PAKISTAN NEW OFFICE BUILDING AT PERA ISMAIL KHAN	TITLE R-2 DETAIL		
NATIONAL ENGINEERING SERVICES PAKISTAN (PVT.) LTD. ISLAMABAD	SCALE N.T.S	NO. 3780/322/BD/01J59	REV. 0
	DATE MAY, 2021		

ARCHITECTURAL DETAILS



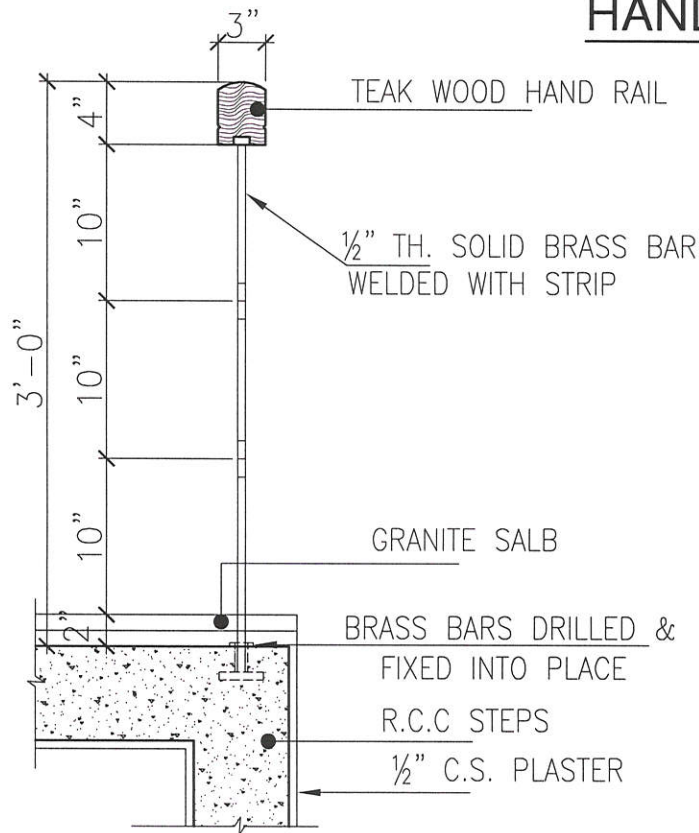
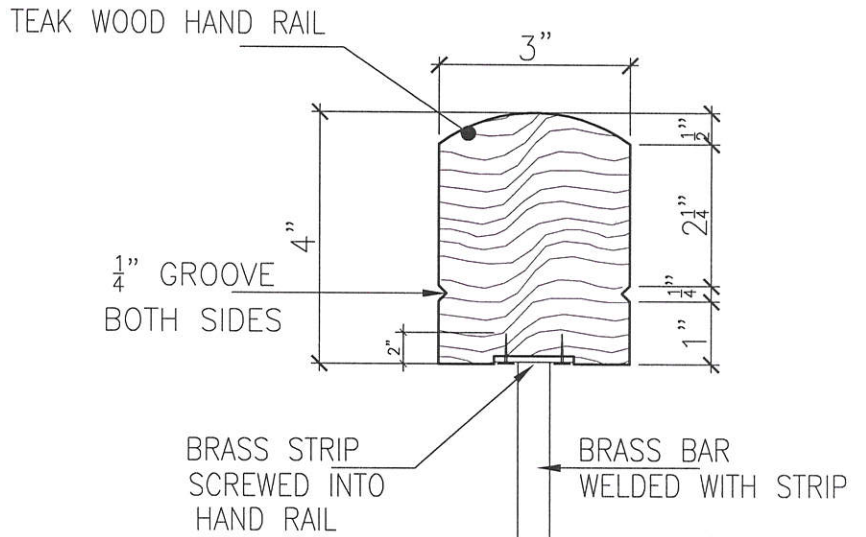
SECTION (R-1)



58

PROJECT	STATE BANK OF PAKISTAN NEW OFFICE BUILDING AT DERA ISMAIL KHAN PROJECT	TITLE	STAIR DETAIL WITH R-1		
NATIONAL ENGINEERING SERVICES PAKISTAN (PVT.) LTD. ISLAMABAD	STATE BANK OF PAKISTAN MANAGEMENT ENGINEERING DIVISION DEPARTMENT OF ARCHITECTURE	SCALE	N.T.S	NO.	3780/322/BD/01J60
		DATE	MAY, 2021	REV.	0

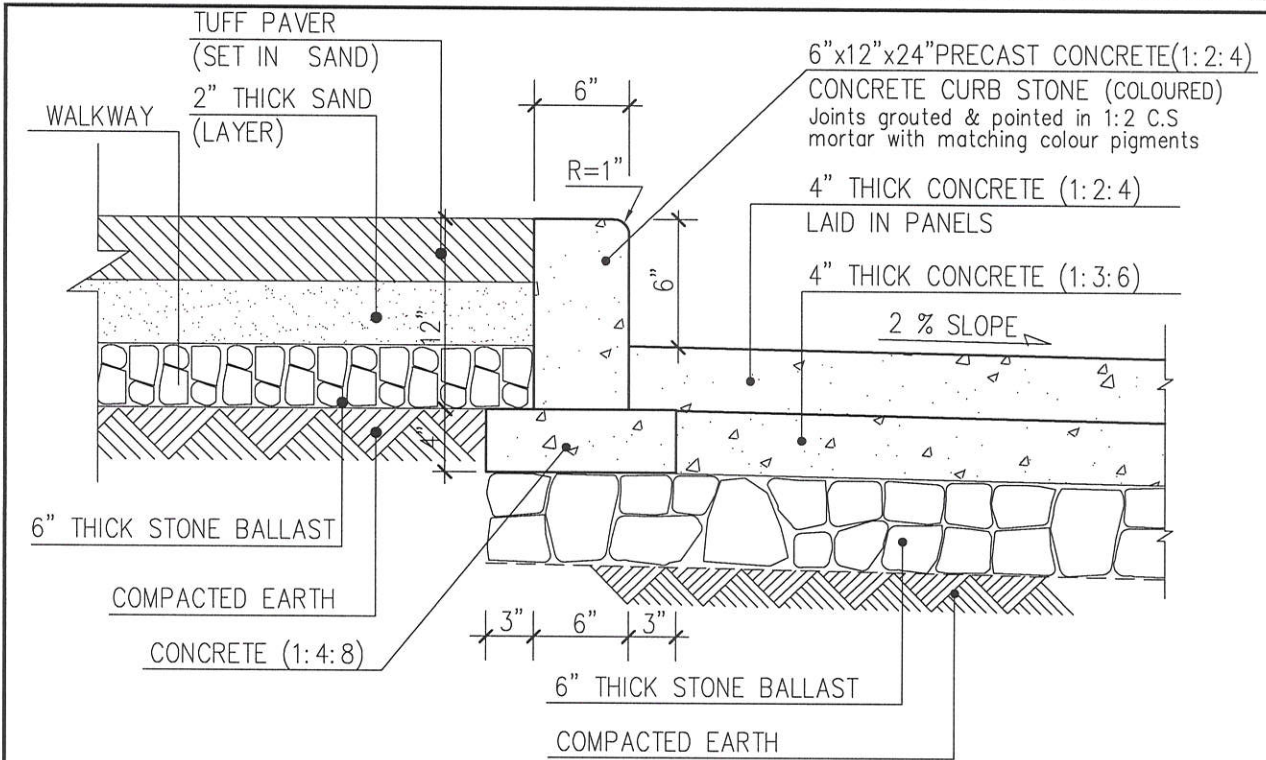
ARCHITECTURAL DETAILS



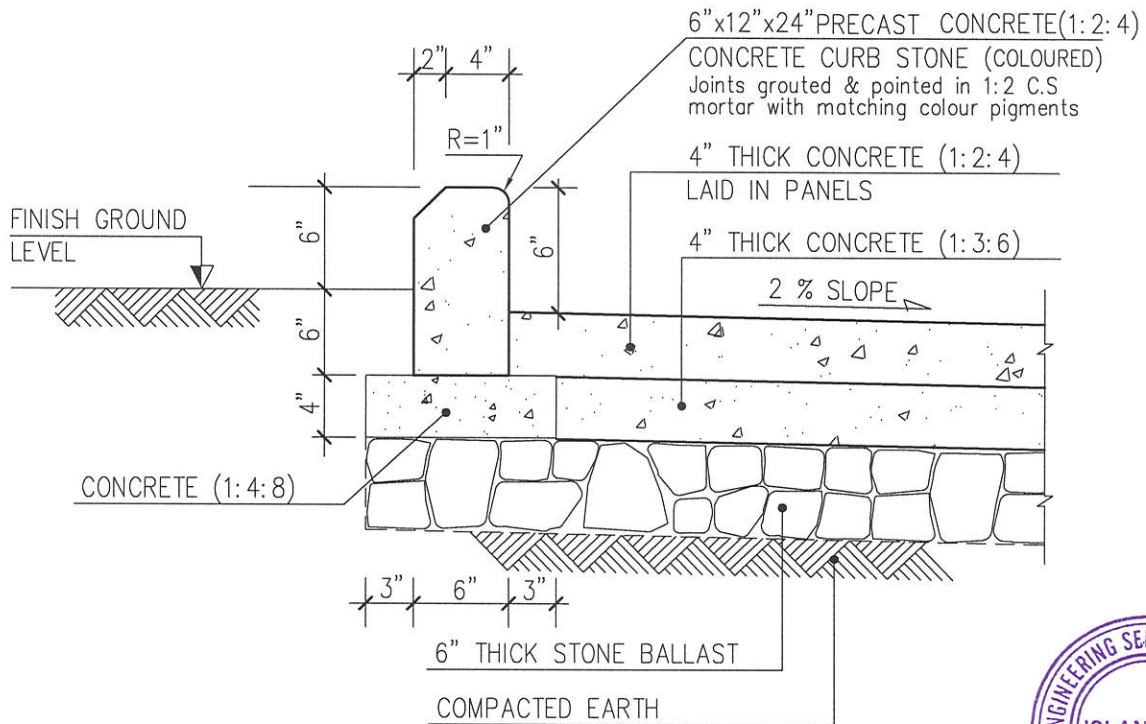
59

<p>PROJECT STATE BANK OF PAKISTAN NEW OFFICE BUILDING AT DERA ISMAIL KHAN PROJECT</p> <p style="text-align: center;">MANAGEMENT</p> <p>NATIONAL ENGINEERING SERVICES PAKISTAN (PVT.) LTD. ISLAMABAD</p>	<p>TITLE R-1 DETAIL</p>
<p>SCALE N.T.S</p> <p>DATE MAY, 2021</p>	<p>NO. 3780/322/BD/01J61</p> <p>REV. 0</p>

ARCHITECTURAL DETAILS



**DETAIL OF PARKING/DRIVEWAY
WITH CURB STONE TYPE-1**



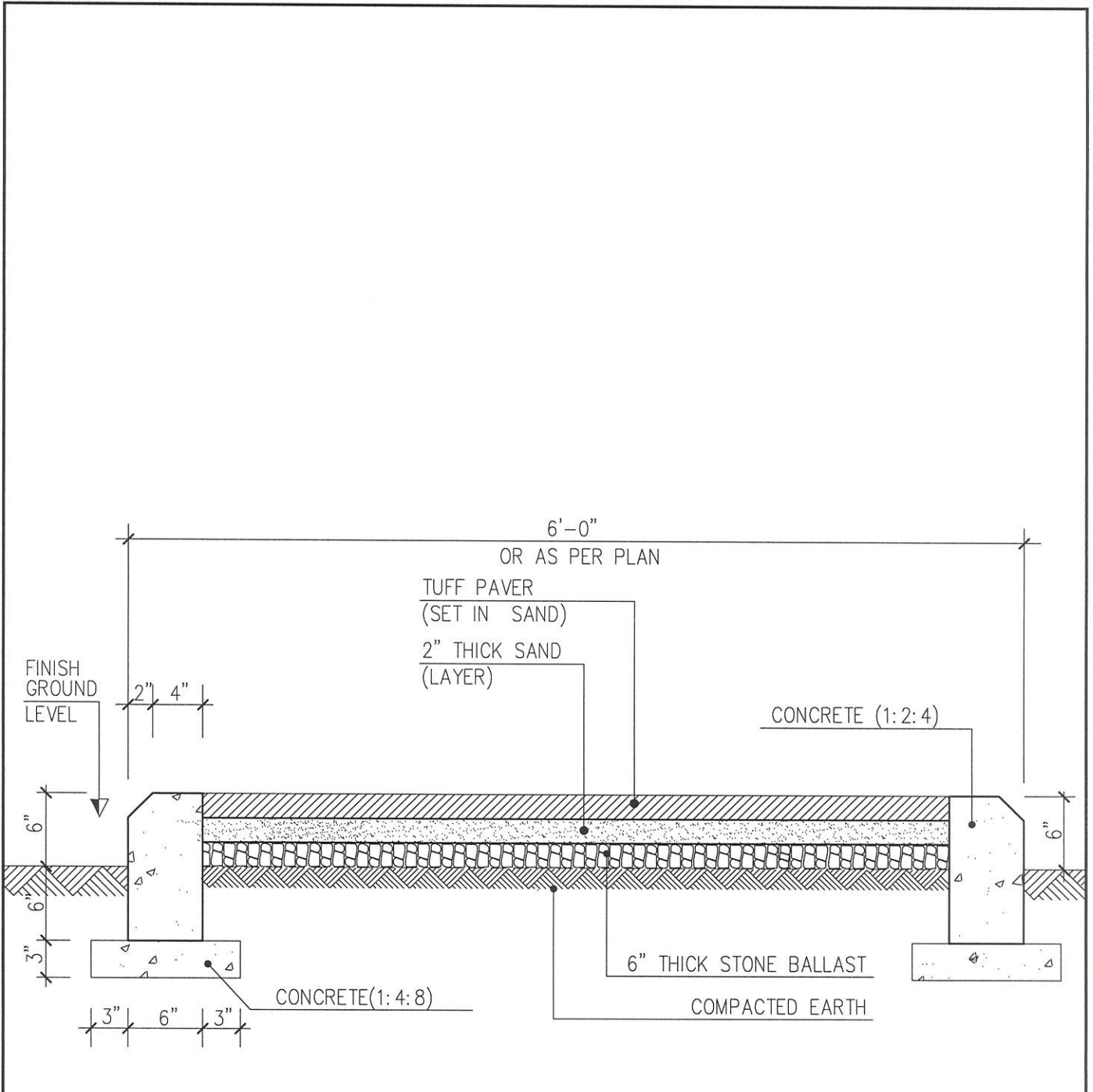
**DETAIL OF PARKING/DRIVEWAY
WITH CURB STONE TYPE-2**



60

PROJECT	STATE BANK OF PAKISTAN NEW OFFICE BUILDING AT DERA ISMAIL KHAN <small>PROJECT MANAGEMENT DIVISION PUBLIC WORKS DEPARTMENT</small>	TITLE	DETAIL OF PARKING/DRIVEWAY TYPE 1&2		
	NATIONAL ENGINEERING SERVICES PAKISTAN (PVT.) LTD. ISLAMABAD	SCALE	N.T.S	NO.	3780/322/BD/01J62
		DATE	MAY, 2021	REV.	0

ARCHITECTURAL DETAILS



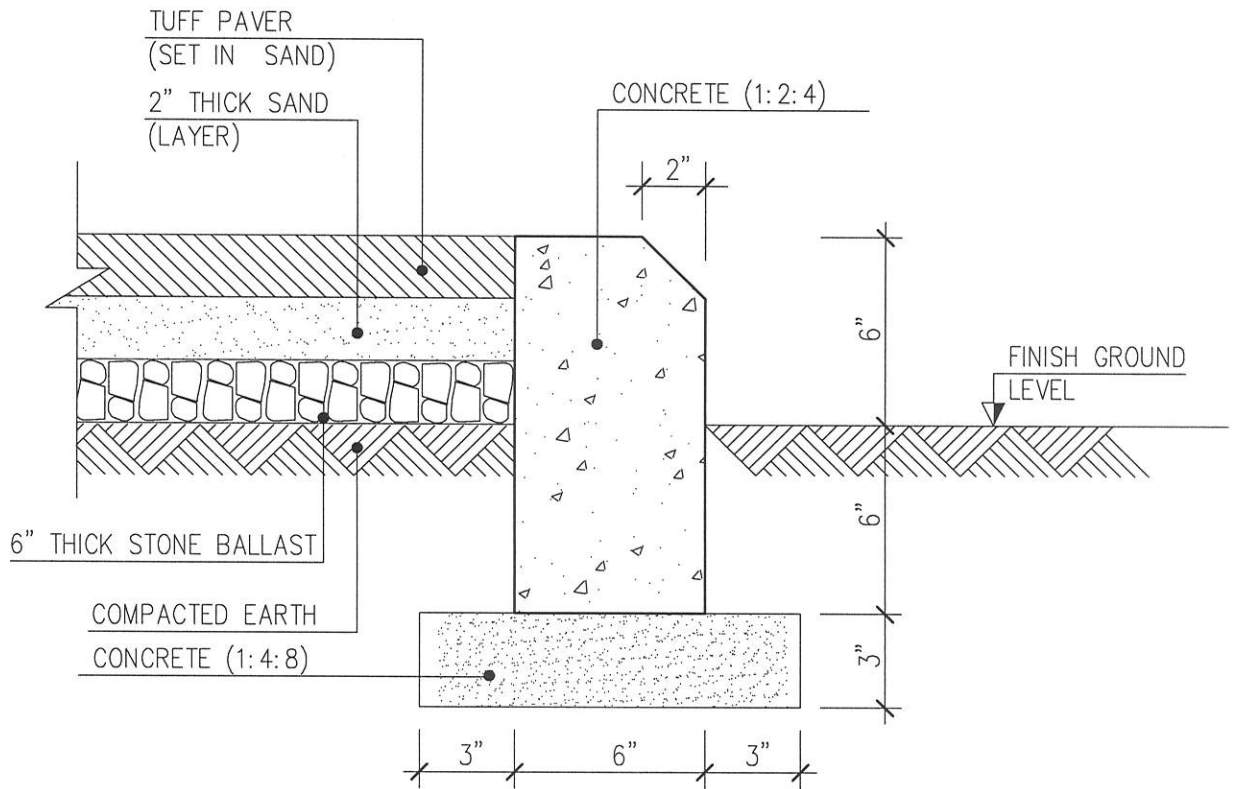
WALKWAY DETAIL



61

PROJECT	STATE BANK OF PAKISTAN NEW OFFICE BUILDING AT DERA ISMAIL KHAN <small>PROJECT</small>	TITLE	DETAIL OF WALKWAY
NATIONAL ENGINEERING SERVICES PAKISTAN (PVT.) LTD. ISLAMABAD		SCALE	NO.
		N.T.S	3780/322/BD/01J63
		DATE	REV.
		MAY, 2021	0

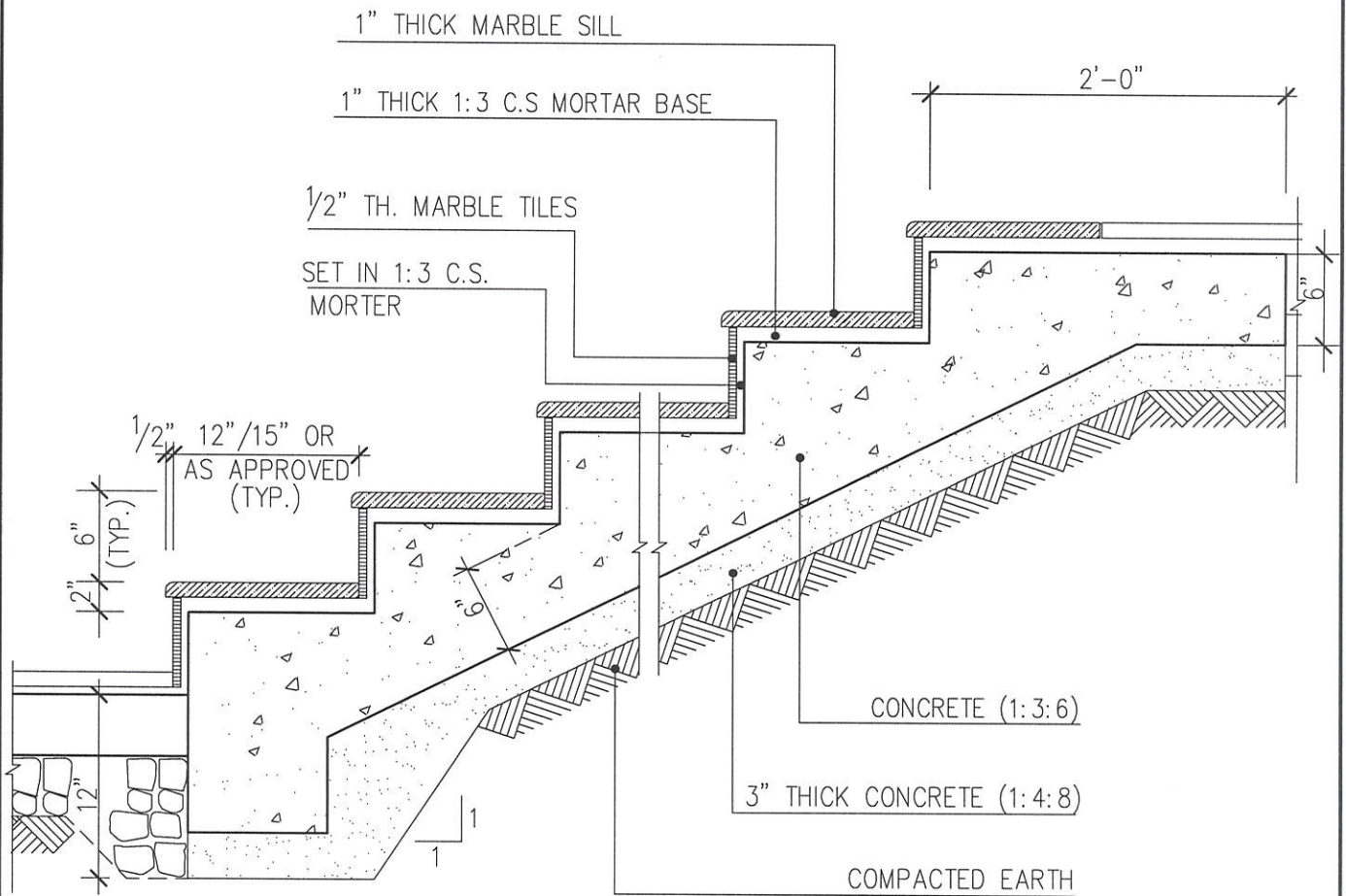
ARCHITECTURAL DETAILS



62

PROJECT	STATE BANK OF PAKISTAN NEW OFFICE BUILDING AT DERA ISMAIL KHAN <small>PROJECT MANAGEMENT DIVISION</small>	TITLE			
		EXTERNAL PAVED AREA (TYPE-2)			
NATIONAL ENGINEERING SERVICES PAKISTAN (PVT.) LTD. ISLAMABAD	<small>SCALE</small> N.T.S. <small>DATE</small> MAY, 2021	<small>NO.</small> 3780/322/BD/01J64	<small>REV.</small> 0		

ARCHITECTURAL DETAILS



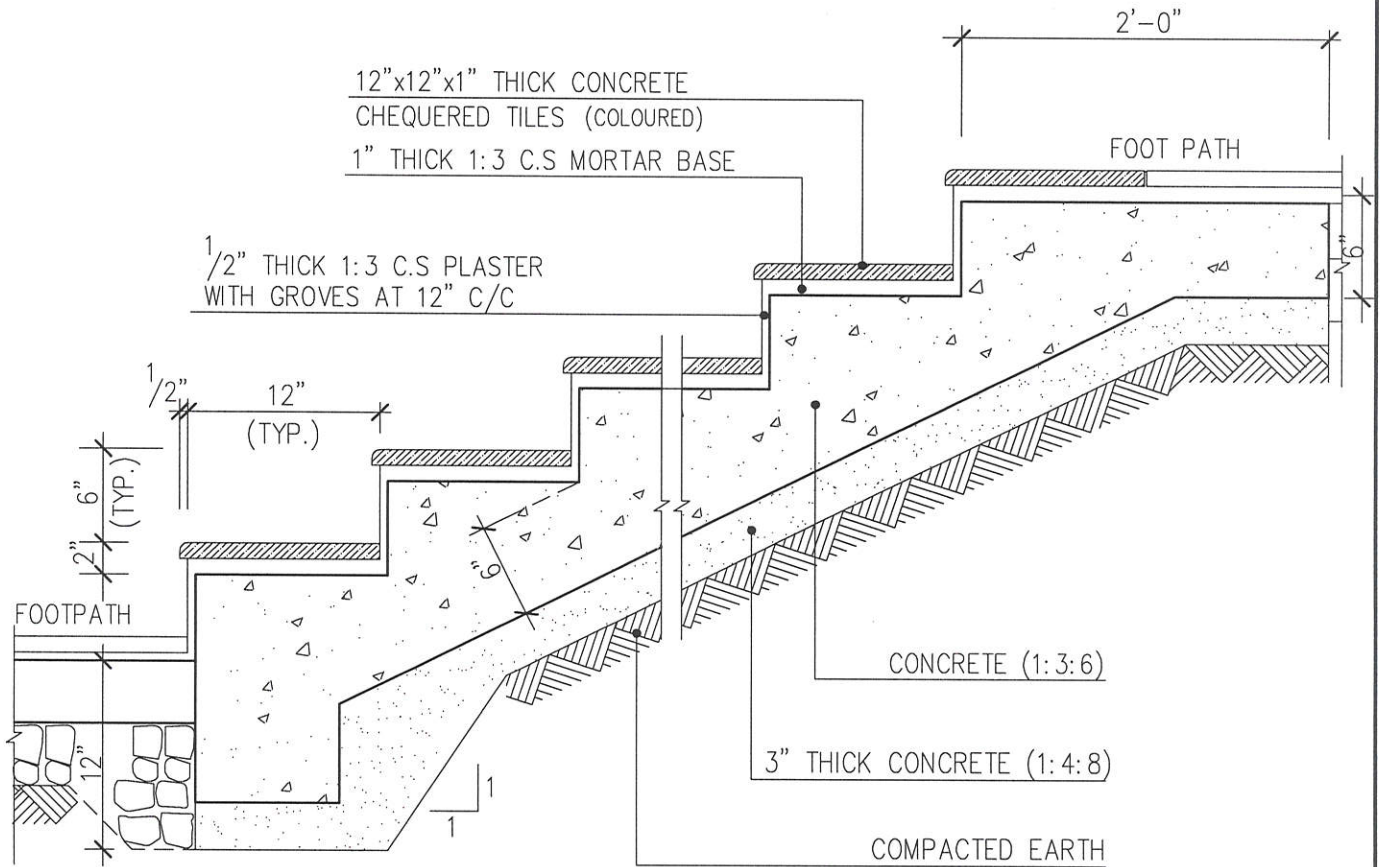
DETAIL OF MARBLE STEPS(EXTERNAL)



63

PROJECT	STATE BANK OF PAKISTAN NEW OFFICE BUILDING AT DERA ISMAIL KHAN	TITLE	MARBLE STEPS DETAIL (EXTERNAL)		
NATIONAL ENGINEERING SERVICES PAKISTAN (PVT.) LTD. ISLAMABAD	MANAGEMENT DIVISION DEPARTMENT OF ARCHITECTURE	SCALE	N.T.S	NO.	3780/322/BD/01J65
		DATE	MAY, 2021	REV.	0

ARCHITECTURAL DETAILS



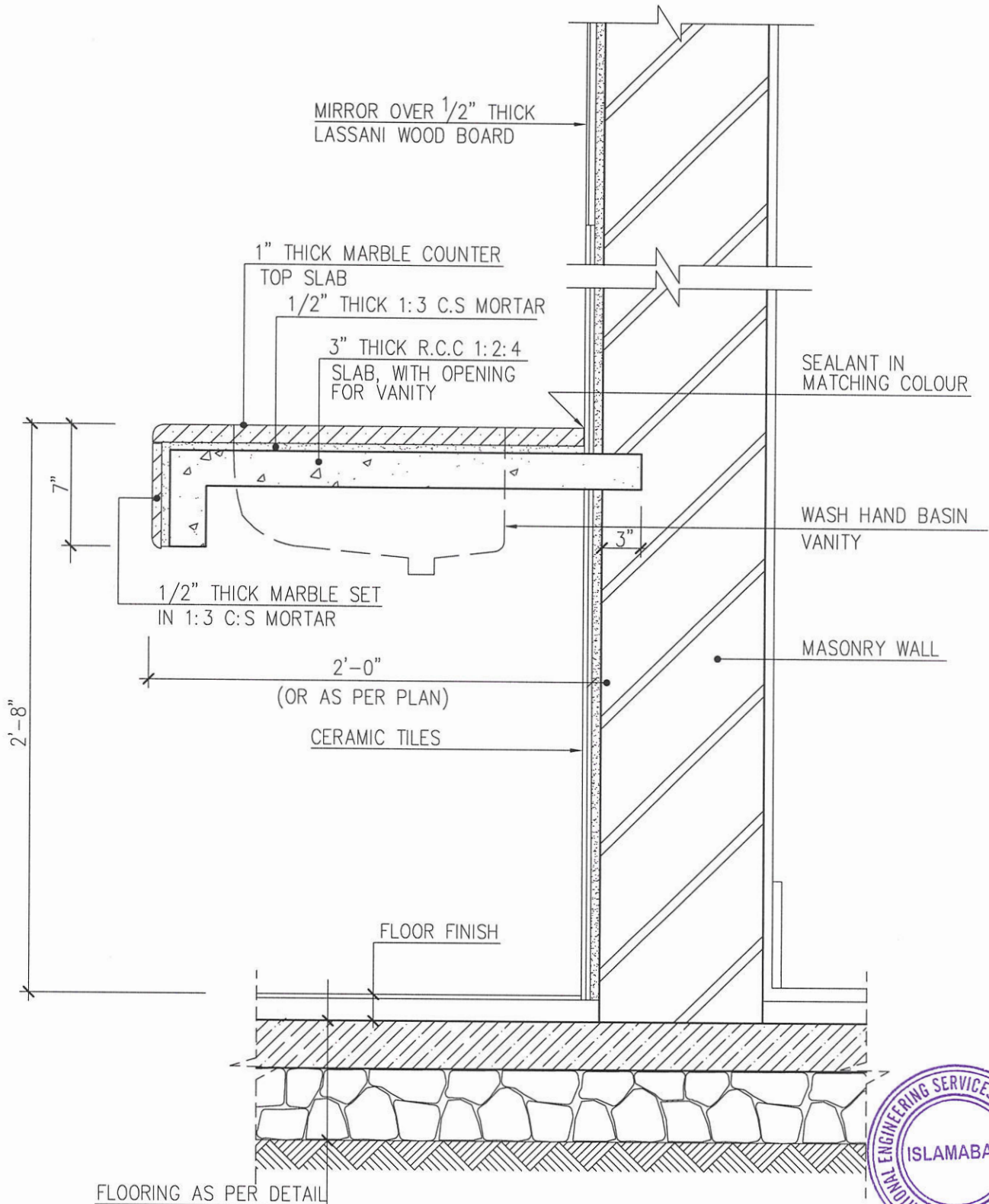
DETAIL OF CONCRETE STEPS(External)

64

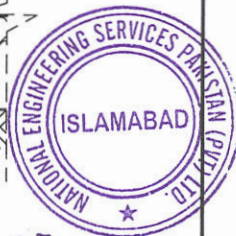


PROJECT STATE BANK OF PAKISTAN NEW OFFICE BUILDING AT DERA ISMAIL KHAN	TITLE CONCRETE STEPS DETAIL(EXTERNAL)
NATIONAL ENGINEERING SERVICES PAKISTAN (PVT.) LTD. ISLAMABAD	SCALE N.T.S
DATE MAY, 2021	
NO. 3780/322/BD/01J66	
REV. 0	

ARCHITECTURAL DETAILS



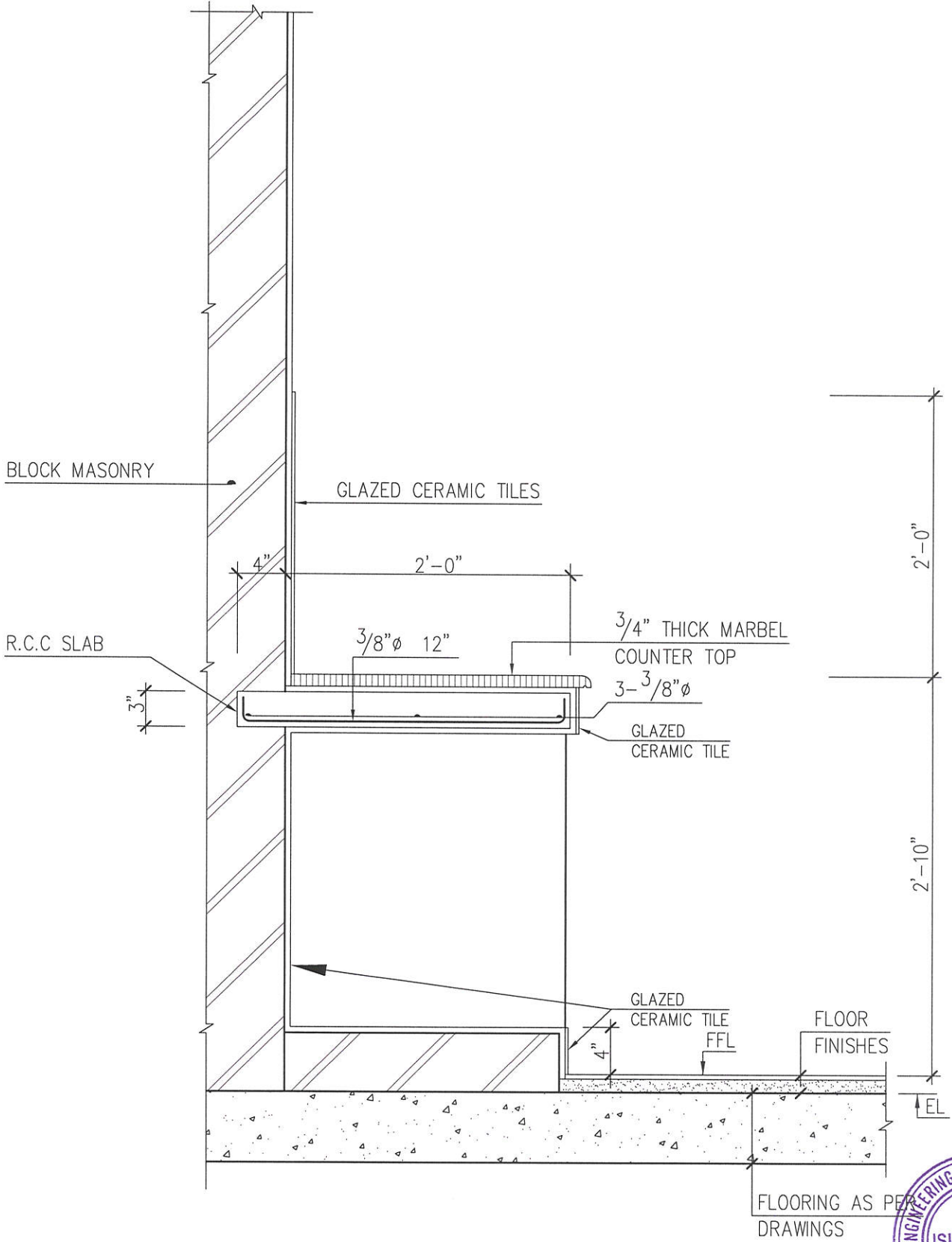
TYPICAL SECTION



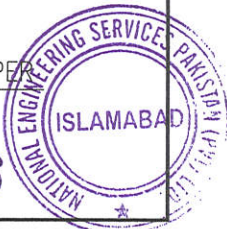
65

PROJECT	STATE BANK OF PAKISTAN NEW OFFICE BUILDING AT DERA ISMAIL KHAN PROJECT	TITLE	DETAIL OF COUNTER VANITY TOP	
NATIONAL ENGINEERING SERVICES PAKISTAN (PVT.) LTD. ISLAMABAD	NATIONAL ENGINEERING SERVICES PAKISTAN (PVT.) LTD. ISLAMABAD	SCALE	N.T.S	NO.
		DATE	MAY, 2021	3780/322/BD/01J67
		REV.	0	

ARCHITECTURAL DETAILS

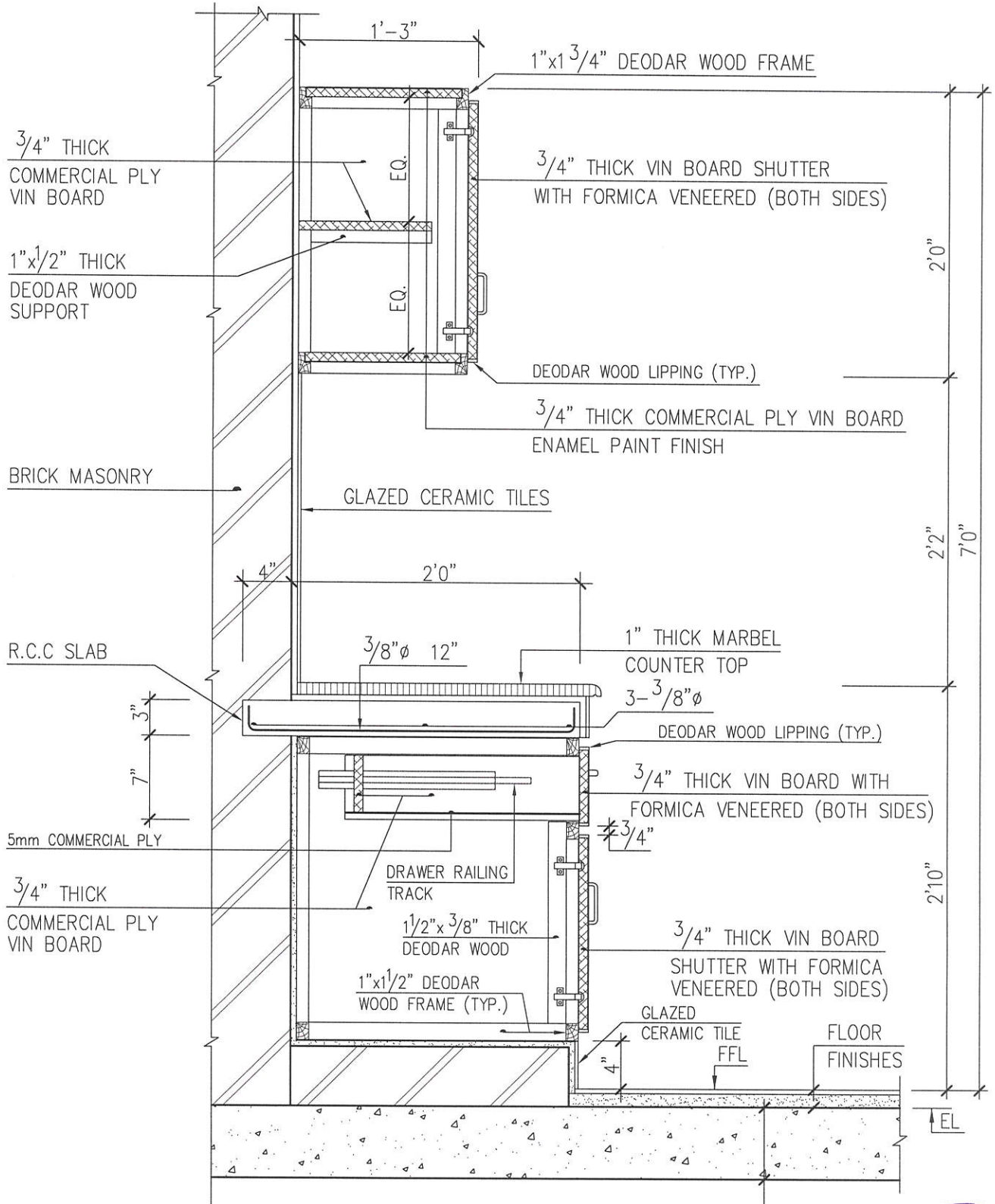


66



PROJECT	STATE BANK OF PAKISTAN NEW OFFICE BUILDING AT DERA ISMAIL KHAN		TITLE	TYPICAL SECTION FOR KITCHEN COUNTER	
NATIONAL ENGINEERING SERVICES PAKISTAN (PVT.) LTD. ISLAMABAD	STATE BANK OF PAKISTAN PROJECT MANAGEMENT DIVISION ISLAMABAD		SCALE	N.T.S	NO.
			DATE	MAY, 2021	3780/322/BD/01J68

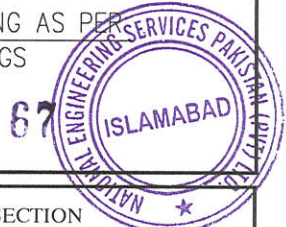
ARCHITECTURAL DETAILS



NOTE

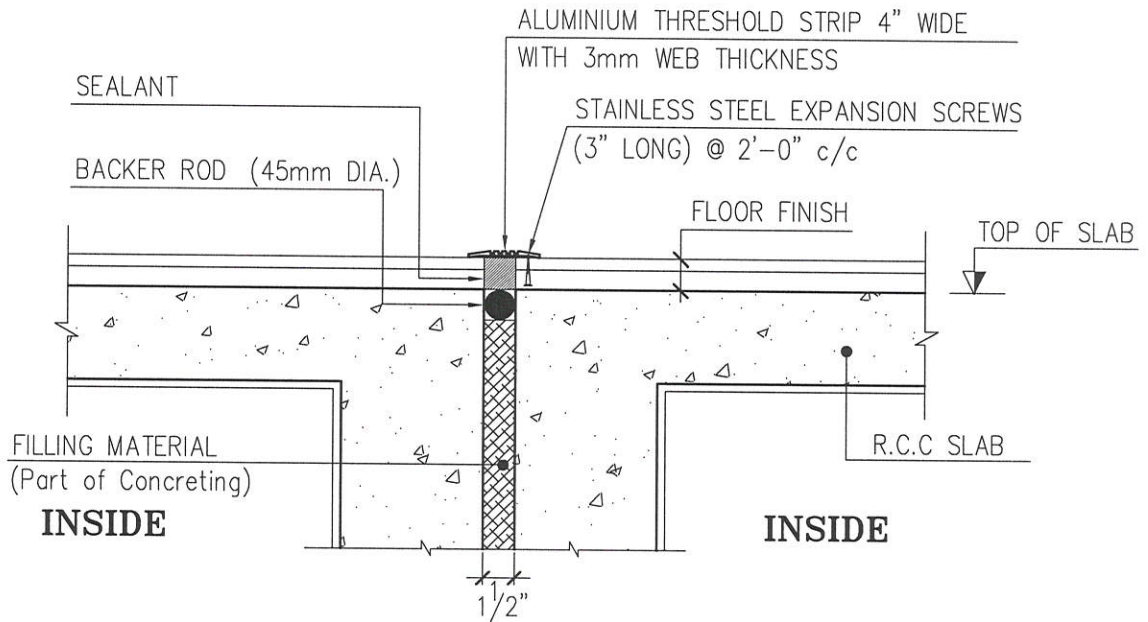
ALL WOODEN, PLY & BOARD SURFACES INSIDE CABINET SHALL BE PAINTED WITH ENAMEL PAINT.

FLOORING AS PER DRAWINGS

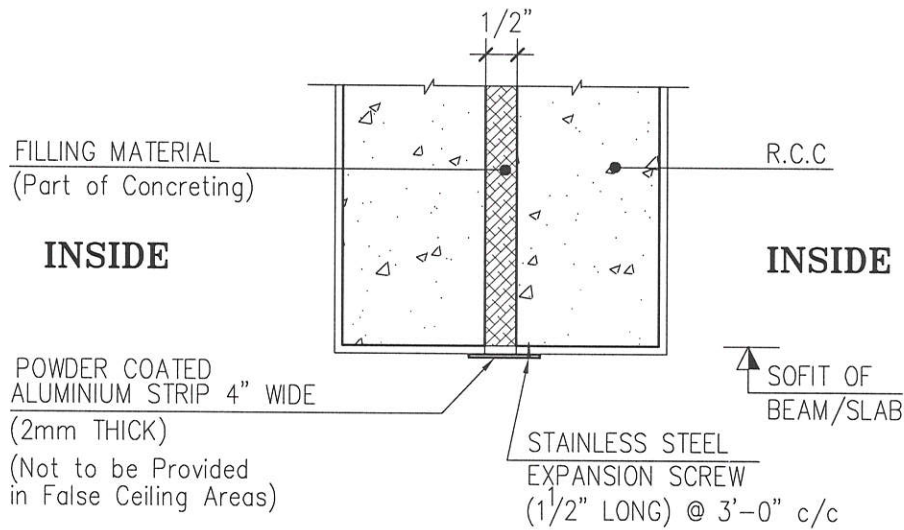


PROJECT	STATE BANK OF PAKISTAN NEW OFFICE BUILDING AT DERA ISMAIL KHAN	TITLE	TYPICAL SECTION THROUGH KITCHEN CABINET	
	MANAGEMENT	SCALE	N.T.S	NO.
	NATIONAL ENGINEERING SERVICES PAKISTAN (PVT.) LTD. ISLAMABAD	DATE	MAY, 2021	3780/322/BD/01J69
				REV. 0

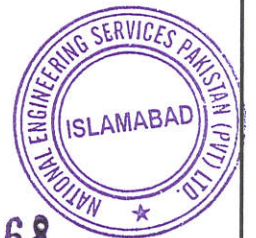
ARCHITECTURAL DETAILS



EXPANSION JOINT DETAIL TYPE-2



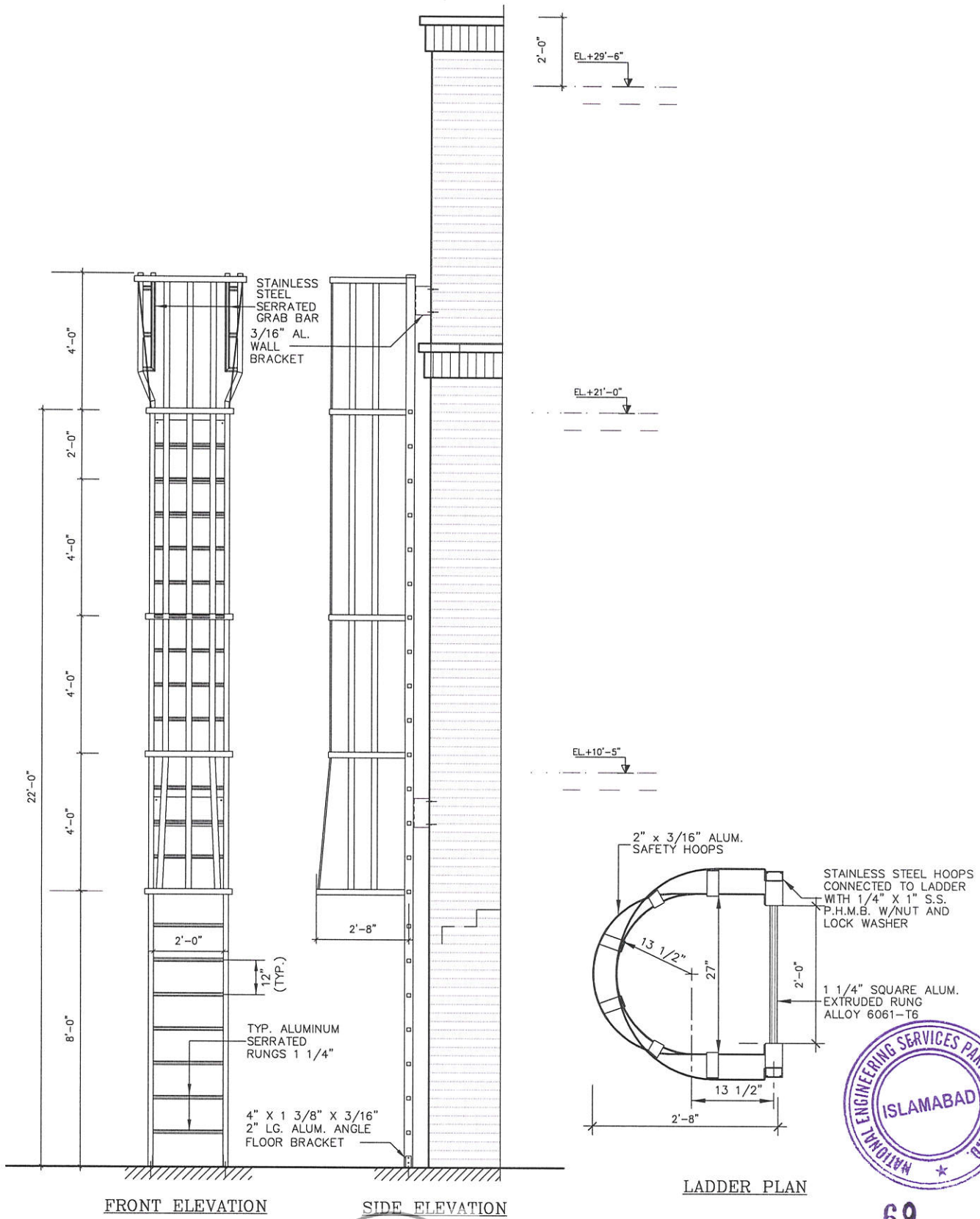
EXPANSION JOINT DETAIL TYPE-3



68

PROJECT	STATE BANK OF PAKISTAN NEW OFFICE BUILDING AT DERA ISMAIL KHAN PROJECT	TITLE	EXPANSION JOINT (TYPE-2 & 3)		
NATIONAL ENGINEERING SERVICES PAKISTAN (PVT.) LTD. ISLAMABAD		SCALE	N.T.S	NO.	3780/322/BD/01J70
		DATE	MAY, 2021	REV.	0

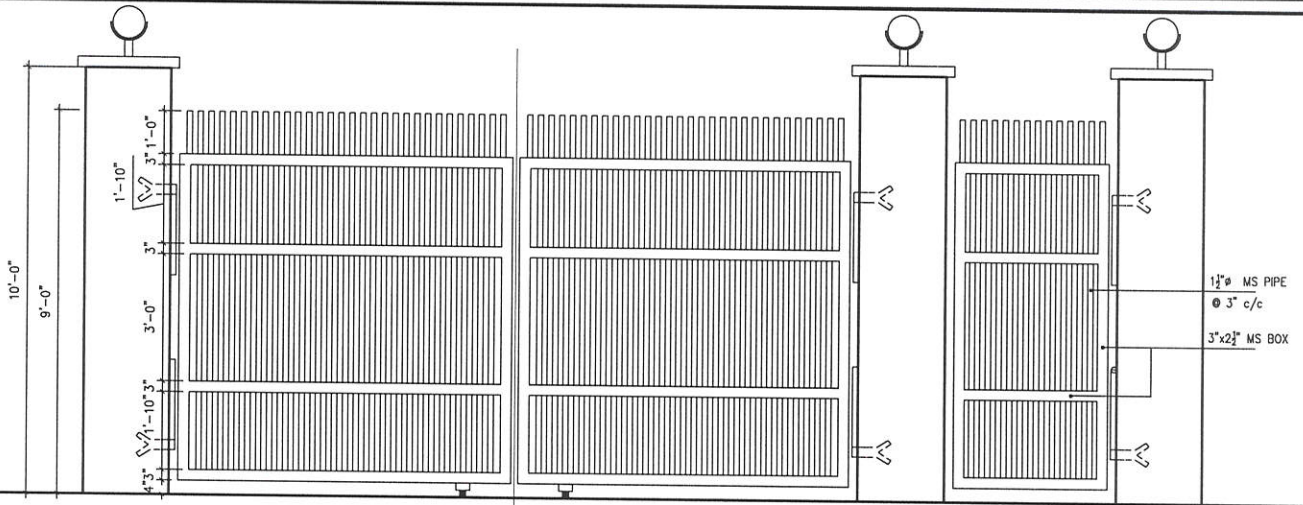
ARCHITECTURAL DETAILS



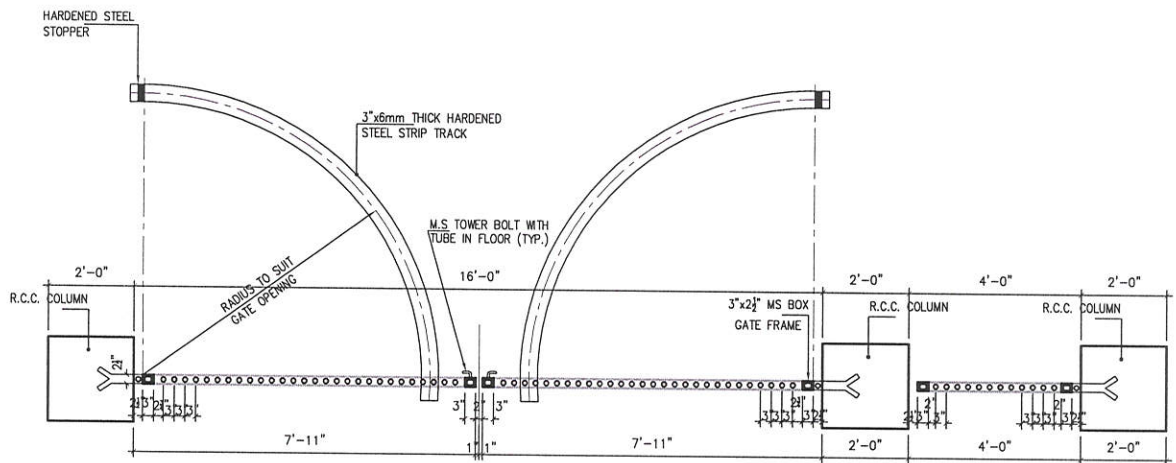
69

PROJECT	STATE BANK OF PAKISTAN NEW OFFICE BUILDING AT DERAL ISMAIL KHAN PROJECT <small>MANAGEMENT</small>	TITLE	TYPICAL DETAIL OF LADDERS (BUILDING-6)	
NATIONAL ENGINEERING SERVICES PAKISTAN (PVT.) LTD. ISLAMABAD	SCALE	N.T.S	NO.	3780/322/BD/01J71
	DATE	MAY, 2021	REV.	0

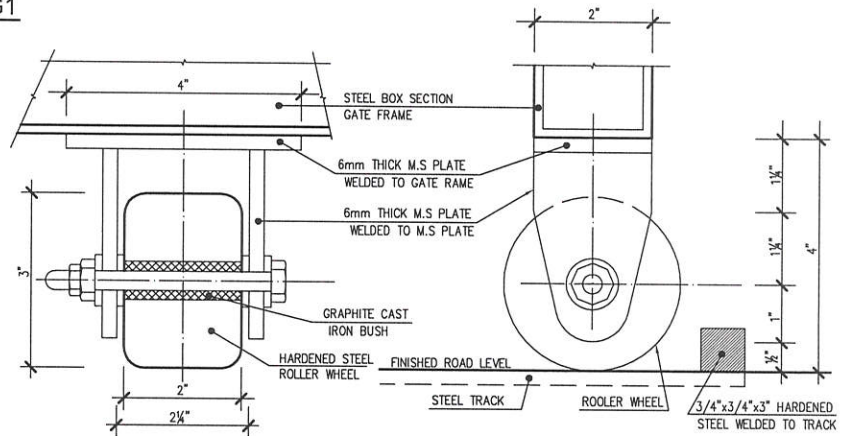
ARCHITECTURAL DETAILS



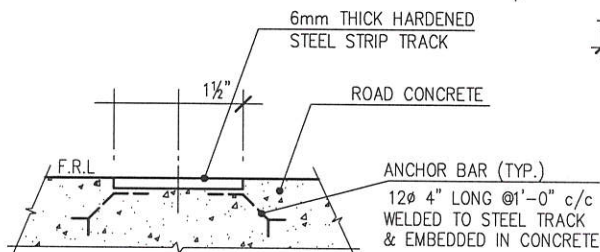
ELEVATION



GATE PLAN-G1



DETAIL OF ROLLER WHEEL

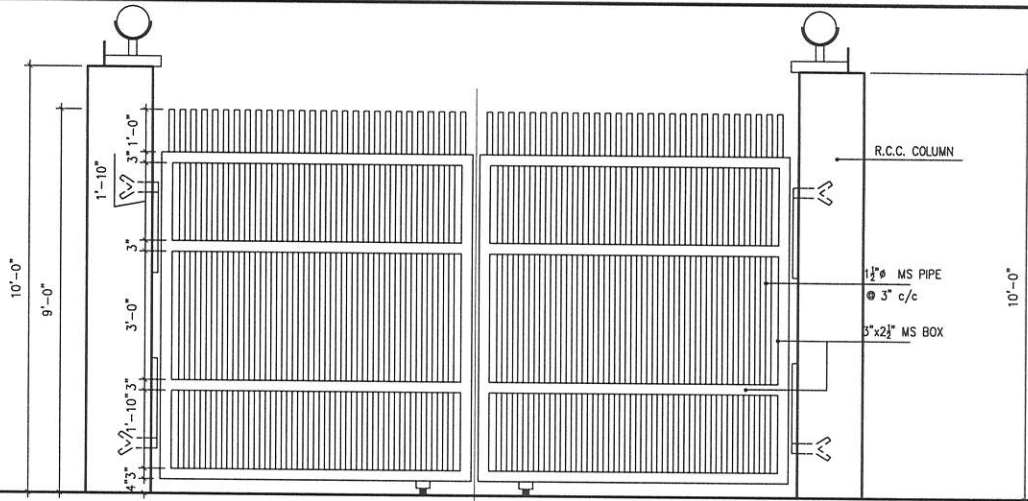


DETAIL OF STEEL TRACK

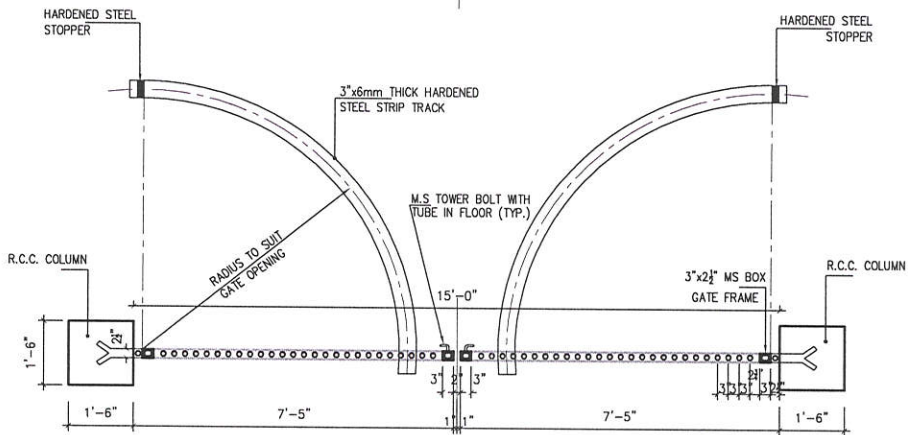


<p>PROJECT STATE BANK OF PAKISTAN NEW OFFICE BUILDING AT DERA ISMAIL KHAN BUILDING-1 (BANKING HALL)</p>	<p>TITLE GATE PLAN-G1 (MAIN GATE)</p>
<p>NATIONAL ENGINEERING SERVICES PAKISTAN (PVT.) LTD. ISLAMABAD</p>	<p>SCALE N.T.S. NO. 3780/322/BD/01J72 DATE MAY, 2021 REV. 0</p>

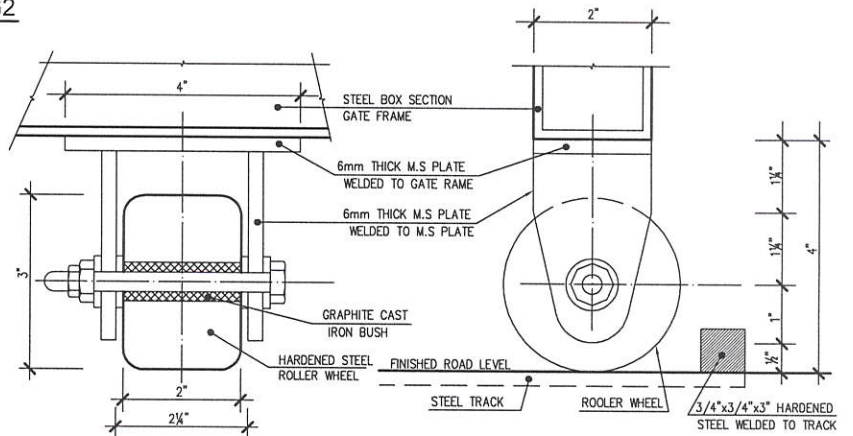
ARCHITECTURAL DETAILS



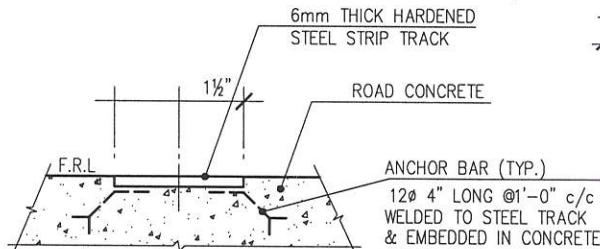
ELEVATION



GATE PLAN-G2



DETAIL OF ROLLER WHEEL



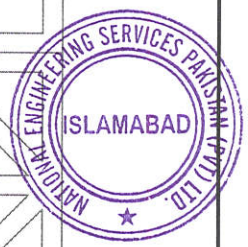
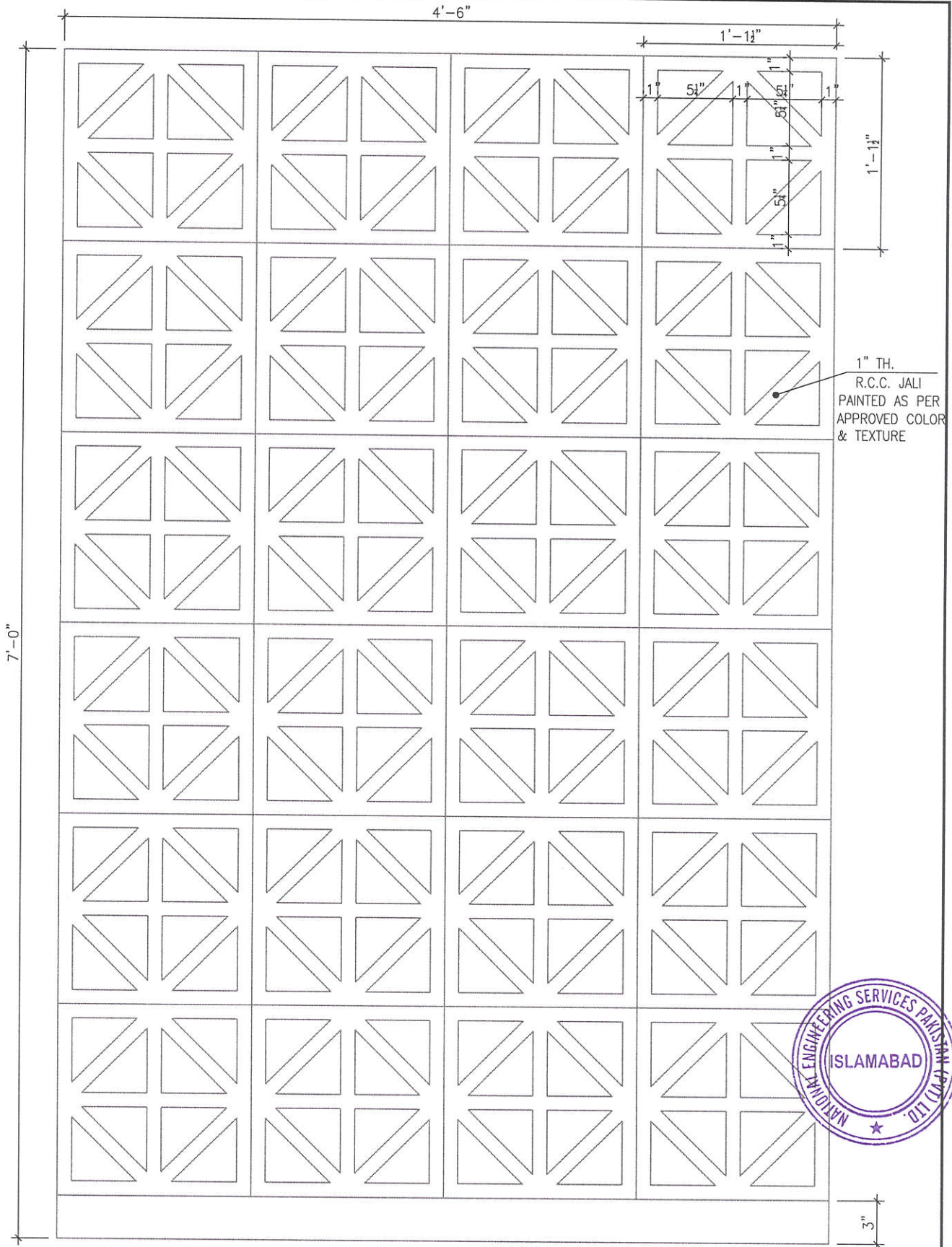
DETAIL OF STEEL TRACK

71



PROJECT STATE BANK OF PAKISTAN NEW OFFICE BUILDING AT DERA ISMAIL KHAN BUILDING-1 (BANKING HALL)	TITLE GATE PLAN-G2 (BUILDING-6)
NATIONAL ENGINEERING SERVICES PAKISTAN (PVT.) LTD. ISLAMABAD	SCALE N.T.S. DATE MAY, 2021
NO. 3780/322/BD/01J73	REV. 0

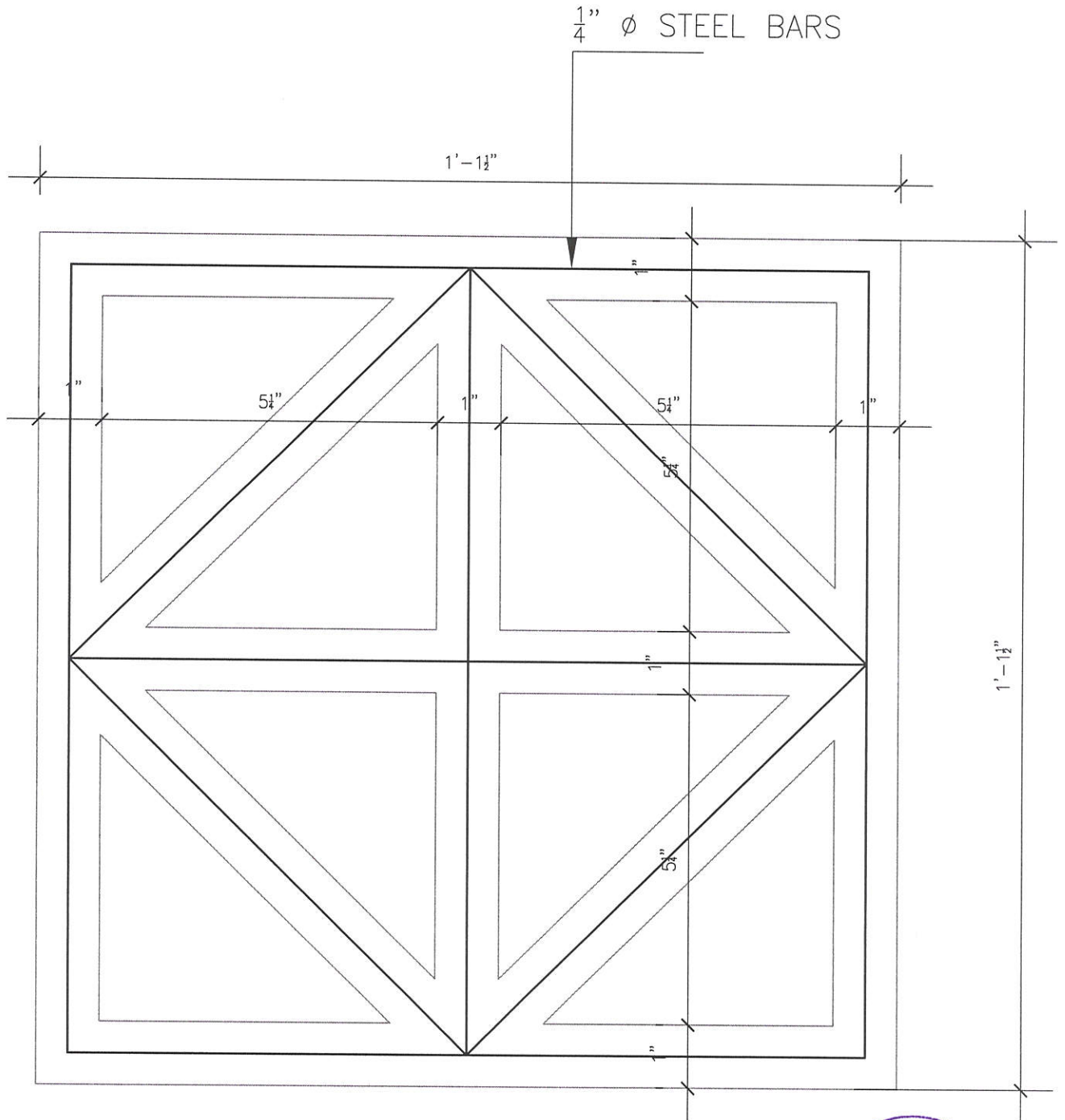
ARCHITECTURAL DETAILS



72

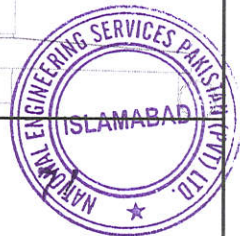
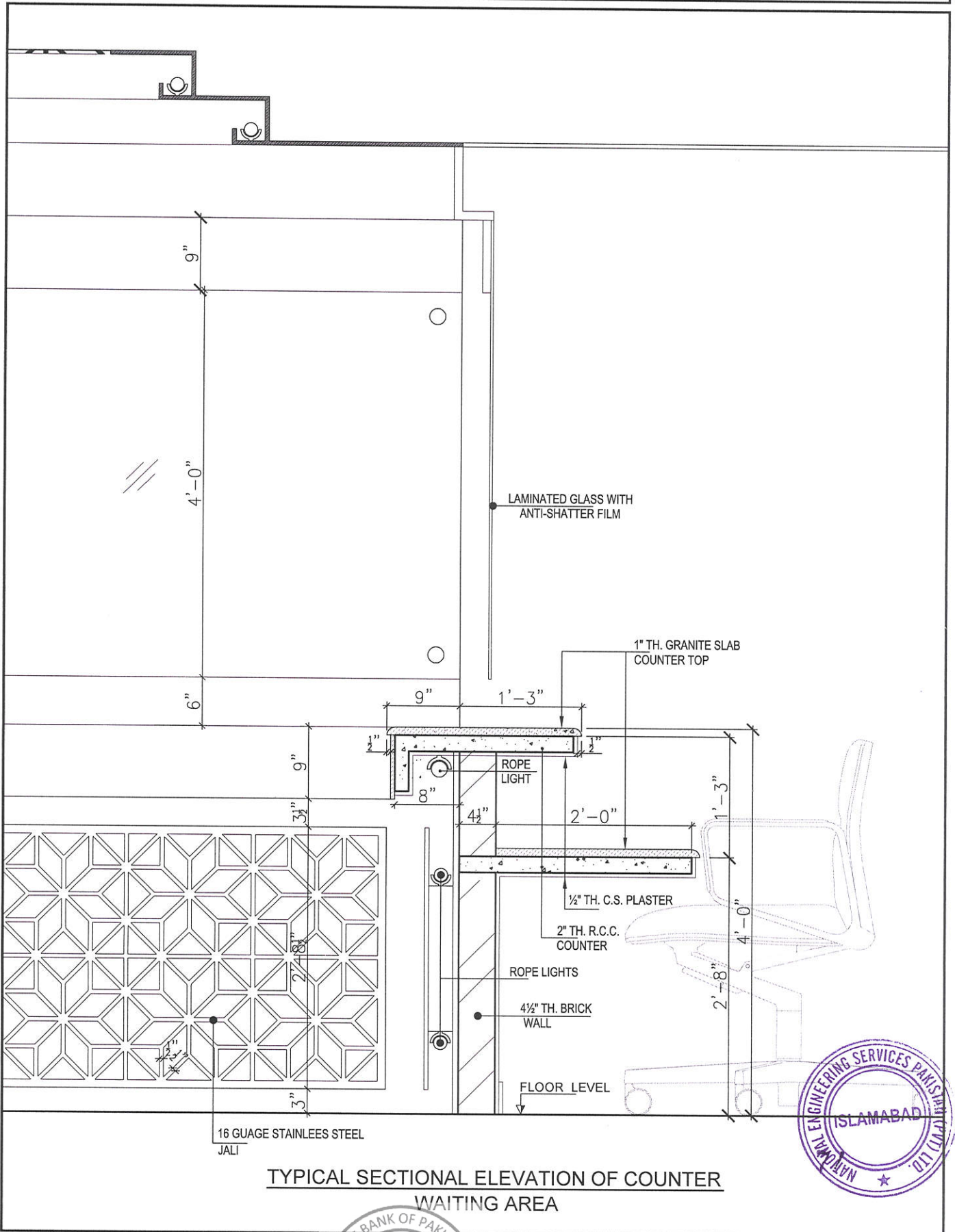
<p>PROJECT STATE BANK OF PAKISTAN NEW OFFICE BUILDING AT DERA ISMAIL KHAN PROJECT</p>	<p>TITLE DETAIL OF CONCRETE JALI</p>
<p>NATIONAL ENGINEERING SERVICES PAKISTAN (PVT.) LTD. ISLAMABAD</p>	<p>SCALE N.T.S</p> <p>DATE MAY, 2021</p>
<p>MANAGEMENT DEPARTMENT</p>	<p>NO. 3780/322/BD/01J74</p> <p>REV. 0</p>

ARCHITECTURAL DETAILS



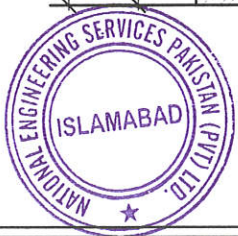
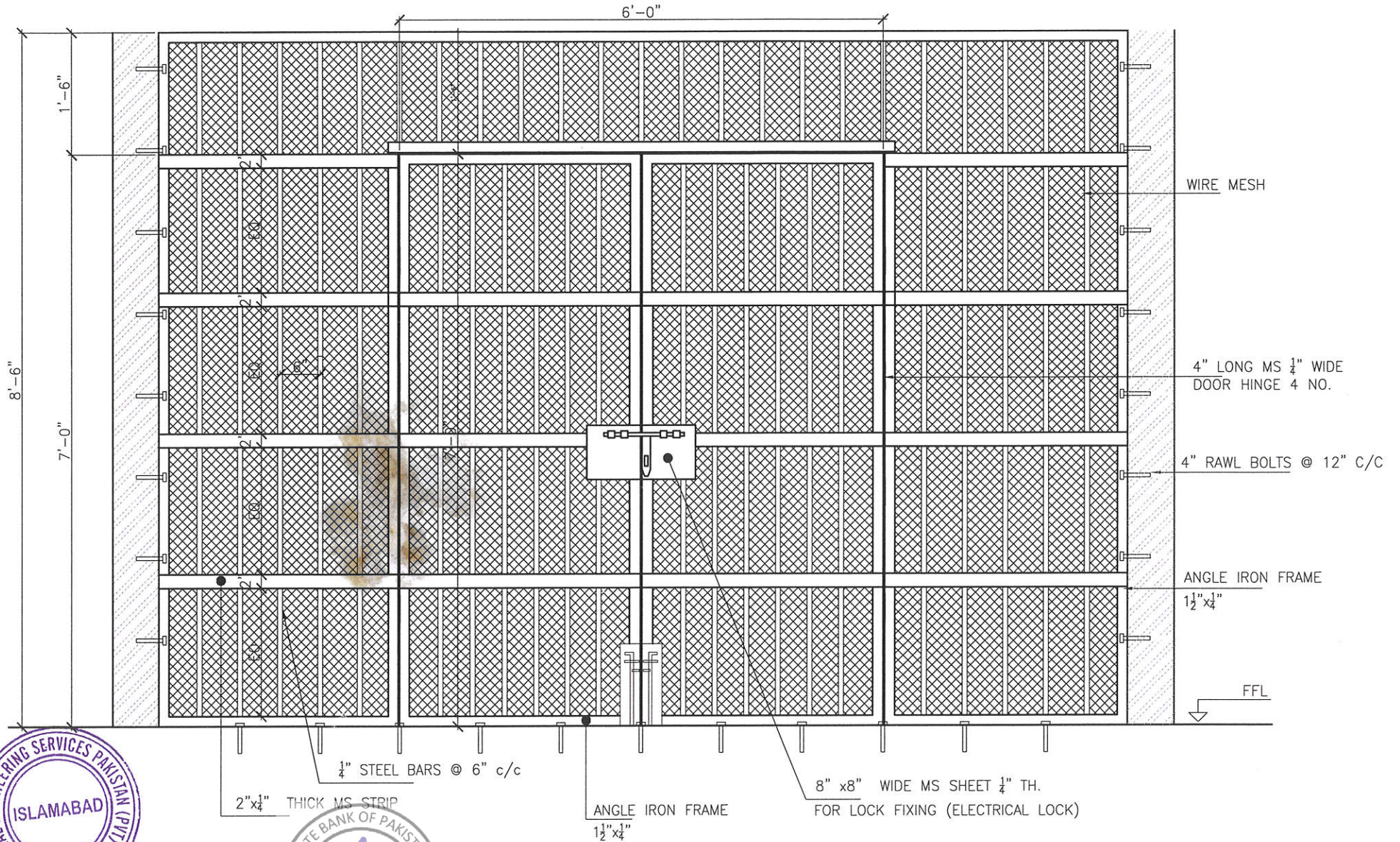
PROJECT	STATE BANK OF PAKISTAN NEW OFFICE BUILDING AT DERA ISMAIL KHAN PROJECT	TITLE	DETAIL OF CONCRETE JALI	
NATIONAL ENGINEERING SERVICES PAKISTAN (PVT.) LTD. ISLAMABAD		SCALE	N.T.S	NO.
		DATE	MAY, 2021	REV.
				3780/322/BD/01J75 0

ARCHITECTURAL DETAILS



<p>PROJECT STATE BANK OF PAKISTAN NEW OFFICE BUILDING AT DERA ISMAIL KHAN</p>	<p>TITLE DETAIL OF COUNTER WAITING AREA (BUILDING-1)</p>
<p>NATIONAL ENGINEERING SERVICES PAKISTAN (PVT.) LTD. ISLAMABAD</p>	<p>SCALE N.T.S.</p> <p>DATE FEB., 19</p>
<p>NO. 3780/322/BD/01J76</p>	
<p>REV. 0</p>	

ARCHITECTURAL DETAILS



75

PROJECT STATE BANK OF PAKISTAN NEW OFFICE BUILDING AT DERA ISMAIL KHAN	TITLE TYPICAL DETAIL OF GRILL & GRILL DOORS	SCALE N.T.S. DATE MAY, 2021	NO. 3780/322/BD/01J77	REV. 0
--	---	--------------------------------------	--------------------------	-----------

NATIONAL ENGINEERING SERVICES
 PAKISTAN (PVT.) LTD. ISLAMABAD